
2 Parts and diagrams

Printer parts information including exploded assembly diagrams and part number lists.

- [HP service and support](#)
- [Order parts by authorized service providers](#)
- [Assembly locations](#)
- [How to use the parts lists and diagrams](#)
- [Parts and diagrams: Document feeder and image scanner \(M776\)](#)
- [Parts and diagrams: Printer components](#)
- [Parts and diagrams: Inner finisher components](#)
- [Parts and diagrams: 550-sheet tray components](#)
- [Parts and diagrams: 2x550-sheet tray components](#)
- [Parts and diagrams: High-capacity input \(HCI\) tray components](#)
- [Alphabetical parts list](#)
- [Numerical parts list](#)

HP service and support

Learn about HP access to additional service and support information.

Additional service and support for channel partners

Channel partners go to partner.hp.com, and then use the steps below to access the HP Web-based Interactive Search Engine (WISE).

Access WISE for Channel partners

1. Select [Services & Support](#), and then select [Services Delivery](#).
2. Select [Technical Support](#), and then select [Technical Documentation](#).

Find information about the following topics

- Service manuals
- Service advisories

- Up-to-date control panel message (CPMD) troubleshooting
- Solutions for printer issues and emerging issues
- Remove and replace part instructions and videos
- Install and configure
- Printer specifications
- Warranty and regulatory information

Additional service and support for HP internal personnel

HP internal personnel, go to one of the following Web-based Interactive Search Engine (WISE) sites:

Americas (AMS)

- [WISE - English](#)
- [WISE - Spanish](#)
- [WISE - Portuguese](#)
- [WISE - French](#)

Asia Pacific / Japan (APJ)

- [WISE - English](#)
- [WISE - Japanese](#)
- [WISE - Korean](#)
- [WISE - Chinese \(simplified\)](#)
- [WISE - Chinese \(traditional\)](#)
- [WISE - Thai](#)

Europe / Middle East / Africa (EMEA)

- [WISE - English](#)

Order parts by authorized service providers

Find information about ordering parts and supplies for the printer.

- [Ordering](#)
- [Orderable parts](#)
- [Supplies and accessories](#)
- [Customer self-repair kits](#)
- [HP service and support](#)

Ordering

Order parts by authorized service providers.

Table 2-1 Ordering

Item or provider	Description
Order supplies and paper	www.hp.com/go/suresupply
Order parts by authorized service providers	www.hp.com/buy/parts or partsurfer.hp.com
Order through service or support providers	Contact an HP-authorized service or support provider.
Order using the HP Embedded Web Server (EWS)	To access, in a supported web browser on your computer, enter the printer IP address or host name in the address/URL field. The EWS contains a link to the HP SureSupply web site, which provides options for purchasing Original HP supplies.

Orderable parts

Not all of the parts shown in the exploded assembly diagrams are orderable parts.

Refer to the tables following the diagrams or the alphabetical/numerical parts lists to determine if a part is orderable.

Supplies and accessories

Following are the part numbers for the supplies and accessories that are available for the printers.

To order cartridges, visit <http://www.hp.com> (some portions of the HP Web site are available in English only). Ordering cartridges online is not supported in all countries/regions. However, many countries/regions have information about ordering by telephone, locating a local store, and printing a shopping list. In addition, go to hp.com/supplies to obtain information about purchasing HP products in your country/region.

Use only the replacement cartridges that have the same cartridge number as the cartridge that is being replaced. Find the cartridge number in the following places:

- On the label of the cartridge that is being replaced.
- On a sticker inside the printer. Open the cartridge door to locate the sticker.

- Open the printer software (**HP Printer Assistant**), and then click **Shop ► Shop For Supplies Online**.
- Open the HP Embedded Web Server (EWS), and then click **Tools ► Supply Status** (under the **Product Information** item).

Table 2-2 Supplies part numbers (M751)

Item	Description	Cartridge number	Part number
HP 660A Original LaserJet Imaging Drum	Replacement imaging drum	660A	W2004A (service: W2004-67901)
HP 658A Black Original LaserJet Toner Cartridge	Standard-yield replacement black toner cartridge	658A	W2000A (service: W2000-67901)
HP 658A Cyan Original LaserJet Toner Cartridge	Standard-yield replacement cyan toner cartridge	658A	W2001A (service: W2001-67901)
HP 658A Yellow Original LaserJet Toner Cartridge	Standard-yield replacement yellow toner cartridge	658A	W2002A (service: W2002-67901)
HP 658A Magenta Original LaserJet Toner Cartridge	Standard-yield replacement magenta toner cartridge	658A	W2003A (service: W2003-67901)
HP 658X High Yield Black Original LaserJet Toner Cartridge	High-yield replacement black toner cartridge	658X	W2000X (service: W2000-67902)
HP 658X High Yield Cyan Original LaserJet Toner Cartridge	High-yield replacement cyan toner cartridge	658X	W2001X (service: W2001-67902)
HP 658X High Yield Yellow Original LaserJet Toner Cartridge	High-yield replacement yellow toner cartridge	658X	W2002X (service: W2002-67902)
HP 658X High Yield Magenta Original LaserJet Toner Cartridge	High-yield replacement magenta toner cartridge	658X	W2003X (service: W2003-67902)

Table 2-3 Supplies part numbers (E75245)

Item	Description	Cartridge number	Part number
HP 660A Original LaserJet Imaging Drum	Replacement imaging drum	660A	W2004A (service: W2004-67901)
HP Black Managed LaserJet Toner Cartridge	Managed replacement black toner cartridge	N/A	W9020MC (service: W9020-67901)
HP Cyan Managed LaserJet Toner Cartridge	Managed replacement cyan toner cartridge	N/A	W9021MC (service: W9021-67901)
HP Yellow Managed LaserJet Toner Cartridge	Managed replacement yellow toner cartridge	N/A	W9022MC (service: W9022-67901)
HP Magenta Managed LaserJet Toner Cartridge	Managed replacement magenta toner cartridge	N/A	W9023MC (service: W9023-67901)

Table 2-4 Supplies part numbers (M856/M776)

Item	Description	Cartridge number	Part number
HP 660A Original LaserJet Imaging Drum	Replacement imaging drum	660A	W2004A (service: W2004-67901)

Table 2-4 Supplies part numbers (M856/M776) (continued)

Item	Description	Cartridge number	Part number
HP 659A Black Original LaserJet Toner Cartridge	Standard-yield replacement black toner cartridge	659A	W2000A (service: 5851-7901)
HP 659A Cyan Original LaserJet Toner Cartridge	Standard-yield replacement cyan toner cartridge	659A	W2001A (service: 5851-7902)
HP 659A Yellow Original LaserJet Toner Cartridge	Standard-yield replacement yellow toner cartridge	659A	W2002A (service: 5851-7903)
HP 659A Magenta Original LaserJet Toner Cartridge	Standard-yield replacement magenta toner cartridge	659A	W2003A (service: 5851-7904)
HP 659X High Yield Black Original LaserJet Toner Cartridge	High-yield replacement black toner cartridge	659X	W2000X (service: 5851-7905)
HP 659X High Yield Cyan Original LaserJet Toner Cartridge	High-yield replacement cyan toner cartridge	659X	W2001X (service: 5851-7906)
HP 659X High Yield Yellow Original LaserJet Toner Cartridge	High-yield replacement yellow toner cartridge	659X	W2002X (service: 5851-7907)
HP 659X High Yield Magenta Original LaserJet Toner Cartridge	High-yield replacement magenta toner cartridge	659X	W2003X (service: 5851-7908)

Table 2-5 Supplies part numbers (E85055)

Item	Description	Cartridge number	Part number
HP 660A Original LaserJet Imaging Drum	Replacement imaging drum	660A	W2004A (service: W2004-67901)
HP Black Managed LaserJet Toner Cartridge	Managed replacement black toner cartridge	N/A	W9020MC (service: 5851-7897)
HP Cyan Managed LaserJet Toner Cartridge	Managed replacement cyan toner cartridge	N/A	W9021MC (service: 5851-7898)
HP Yellow Managed LaserJet Toner Cartridge	Managed replacement yellow toner cartridge	N/A	W9022MC (service: 5851-7899)
HP Magenta Managed LaserJet Toner Cartridge	Managed replacement magenta toner cartridge	N/A	W9023MC (service: 5851-7900)

Table 2-6 Accessories

Item	Description	Part number
HP LaserJet 550-sheet Paper Tray	Optional 550-sheet paper tray NOTE: The printer supports up to two 550-sheet paper trays.	T3V27A (service: T3V27-67901)
HP LaserJet 2 x 550-sheet Paper Tray and Stand	Optional 2 x 550-sheet paper tray and stand to support the printer	T3V29A (service: T3V29-67901)
HP LaserJet 2,700-sheet HCI Paper Tray and Stand	Optional 2,700-sheet paper tray and stand to support the printer	T3V30A (service: T3V30-67901)
HP LaserJet Stand	Optional stand	T3V28A (service: T3V28-67901)

Table 2-6 Accessories (continued)

Item	Description	Part number
HP Jetdirect 2900nw Print Server	USB wireless print server accessory	J8031A (service: J8031-61001)
HP Jetdirect 3100w BLE/NFC/Wireless Accessory	Wi-Fi direct accessory for “touch” and Bluetooth printing from mobile devices	3JN69A (service: 3JN69-61001)
HP Internal USB Ports	Two optional USB ports for connecting third-party devices	B5L28A (service: B5L28-67902)
HP SmartCard NIPERNet Solution NOTE: Requires the B5L28A - HP Internal USB Ports accessory	HP SmartCard U.S. Government NIPRNet Solution for CAC and PIV tokens. Takes advantage of U.S. Government smartcard technology.	CC543B (service: CC543-69011)
HP SmartCard SIPERNet Solution NOTE: Requires the B5L28A - HP Internal USB Ports accessory	HP Smartcard U.S. Government SIPRNet Solution for SIPRNet tokens. Takes advantage of U.S. Government smartcard technology.	F8B30A (service: F8B30-69001)
HP Foreign Interface Harness	Optional port accessory for connecting third-party devices.	B5L31A (service: B5L31-67902)
Hard disk drive, 500GB 5400RPM SED	Optional hard disk drive.	L41606-011
Hard disk drive, 500GB 5400RPM FIPS/CCC OPAL2 7MM	Optional hard disk drive.	L42243-021
Hard disk drive, 500GB FIPS/CCC/TAA OPAL2 7MM	Optional hard disk drive.	L42244-031
HP 1GB DDR3 x32 144-Pin 800MHz SODIMM	Optional 1GB DIMM for expanding the memory	E5K48A (service: E5K48-67902)
HP 2GB DDR3 x32 144-Pin 800MHz SODIMM	Optional 2GB DIMM for expanding the memory	E5K49A (service: 5851-6581)

Customer self-repair kits

Following are the available customer self-repair kits part numbers.

Customer Self-Repair (CSR) parts are available for many HP LaserJet printers to reduce repair time. More information about the CSR program and benefits can be found at www.hp.com/go/csr-support and www.hp.com/go/csr-faq.

Genuine HP replacement parts can be ordered at www.hp.com/buy/parts or by contacting an HP-authorized service or support provider. When ordering, one of the following will be needed: part number, serial number (found on back of printer), printer number, or printer name.

- Parts listed as **A**: Easy
- Parts listed as **B**: Difficult and/or requires tools

Table 2-7 Customer self-repair kits

Kit	Description	CSR level	Part number
Control panel (M751/E75245)	Control panel and screwdriver	A	5851-7253
Control panel (M856/E85055)	Control panel and screwdriver	A	K0Q15-67901
Control panel (M776)	Control panel and screwdriver	A	J7Z09-67928
HP 1GB DDR3 x32 144-pin 800MHz SODIMM	Optional DIMM for expanding the memory	A	E5K48-67902

Table 2-7 Customer self-repair kits (continued)

Kit	Description	CSR level	Part number
HP 2GB DDR3 x32 144-pin 800MHz SODIMM	Optional DIMM for expanding the memory	A	5851-6581
Hard disk drive 500GB 5400RPM SED (Secure Encrypted Drive)	Replacement hard disk drive SED (Secure Encrypted Drive)	A	L41606-011
Hard disk drive 500GB 5400RPM FIPS/CCC OPAL2 7MM (higher level of security than SED)	Replacement hard disk drive (higher level of security than SED)	A	L42243-021
Hard disk drive 500GB FIPS/CCC/TAA OPAL2 7MM (for use in US government contracts)	Replacement hard disk drive (for use in US government contracts)	A	L42244-031
Tray 1 rollers	Replacement pickup and separation rollers for Tray 1	A	RM2-1525-000CN
Tray 2-x rollers	Replacement pickup and separation rollers for Trays 2-x	A	RM2-1526-000CN
Fuser	Replacement fuser	A	3WT87-67901 (M751/E75245; 110V) 3WT88-67901 (M751/E75245; 220V) 4YL16-67901 (M856/E85055/M776; 110V) 4YL17-67901 (M856/E85055/M776; 220V)
Intermediate transfer belt (ITB)	Replacement ITB	A	RM2-1504-000CN
Toner collection unit (TCU)	Replacement TCU	A	3WT90-67901
Secondary transfer roller	Replacement secondary transfer roller	A	RM2-1399-000CN

HP service and support

Learn about HP access to additional service and support information.

Additional service and support for channel partners

Channel partners go to partner.hp.com, and then use the steps below to access the HP Web-based Interactive Search Engine (WISE).

Access WISE for Channel partners

1. Select [Services & Support](#), and then select [Services Delivery](#).
2. Select [Technical Support](#), and then select [Technical Documentation](#).

Find information about the following topics

- Service manuals
- Service advisories
- Up-to-date control panel message (CPMD) troubleshooting
- Solutions for printer issues and emerging issues
- Remove and replace part instructions and videos
- Install and configure
- Printer specifications
- Warranty and regulatory information

Additional service and support for HP internal personnel

HP internal personnel, go to one of the following Web-based Interactive Search Engine (WISE) sites:

Americas (AMS)

- [WISE - English](#)
- [WISE - Spanish](#)
- [WISE - Portuguese](#)
- [WISE - French](#)

Asia Pacific / Japan (APJ)

- [WISE - English](#)
- [WISE - Japanese](#)
- [WISE - Korean](#)
- [WISE - Chinese \(simplified\)](#)
- [WISE - Chinese \(traditional\)](#)
- [WISE - Thai](#)

Europe / Middle East / Africa (EMEA)

- [WISE - English](#)

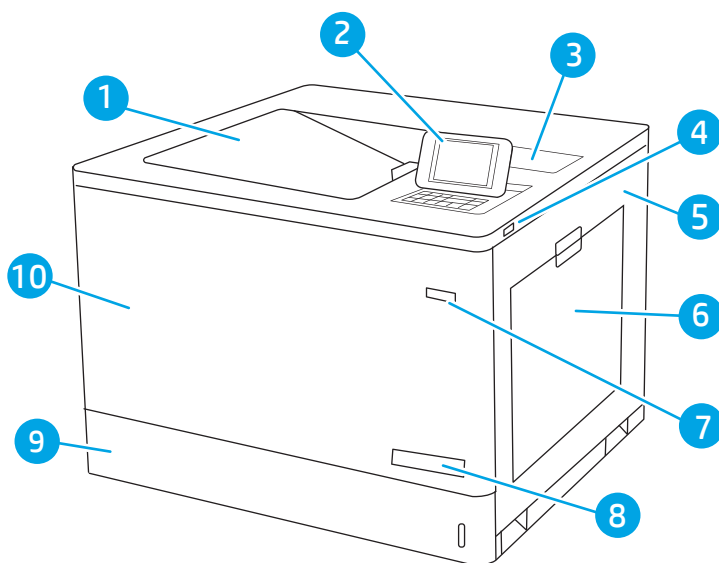
Assembly locations

Learn about major printer assembly locations.

- [Printer front view \(M751/E75245\)](#)
- [Printer back view \(M751/E75245\)](#)
- [Printer front view \(M856/E85055\)](#)
- [Printer back view \(M856/E85055\)](#)
- [Printer front view \(M776\)](#)
- [Printer back view \(M776\)](#)

Printer front view (M751/E75245)

Locate features on the front of the printer (M751/E75245).

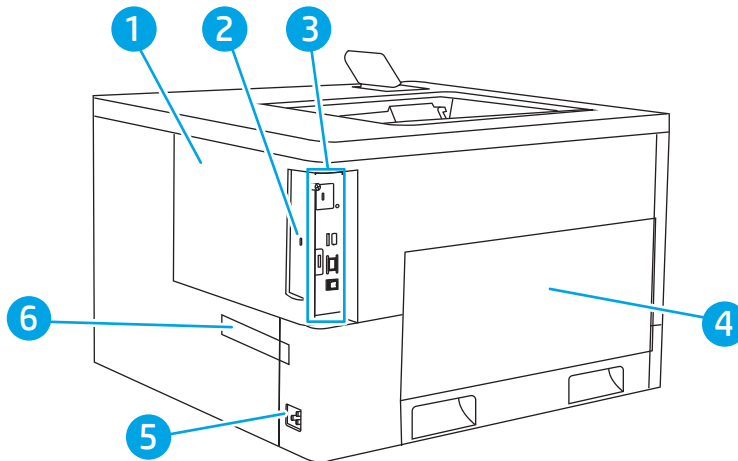


Callout	Description
1	Output bin
2	Control panel with color graphical display and keypad
3	Hardware integration pocket for connecting accessory and third-party devices
4	Easy-access USB port Insert a USB flash drive for printing without a computer or to update the printer firmware. NOTE: An administrator must enable this port before use.
5	Right door (access to the fuser and to clear jams)
6	Tray 1
7	On/off button

Callout	Description
8	Model name
9	Tray 2
10	Front door (access to the toner cartridges and imaging drums)

Printer back view (M751/E75245)

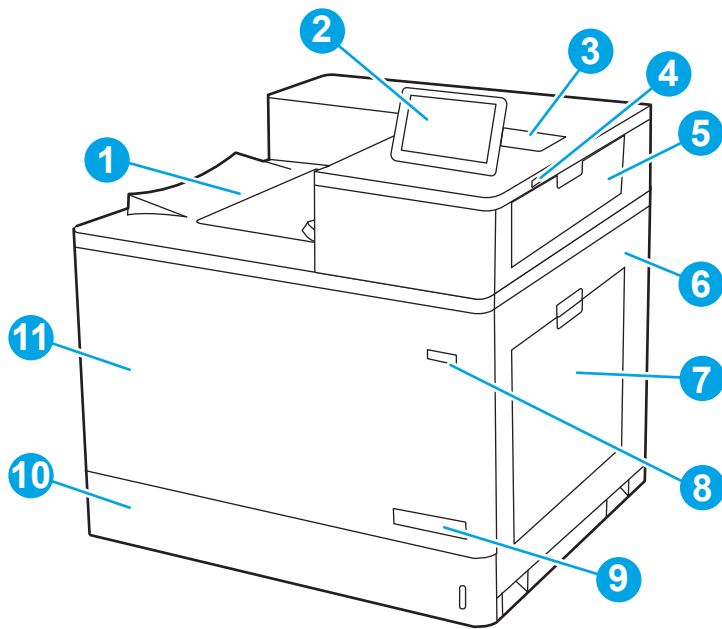
Locate features on the back of the printer (M751/E75245).



Callout	Description
1	Formatter cover
2	Slot for a cable-type security lock
3	Formatter (contains the interface ports)
4	Left door (access to the toner-collection unit)
	NOTE: The front door must be used in order to access the toner-collection unit.
5	Power connection
6	Serial number and product number label

Printer front view (M856/E85055)

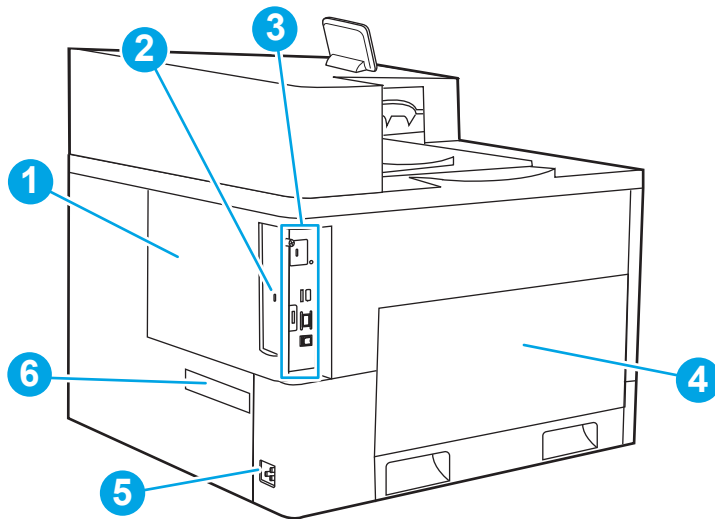
Locate features on the front of the printer (M856/E85055).



Number	Description
1	Output bin
2	Control panel
3	Hardware integration pocket for connecting accessory and third-party devices
4	Easy-access USB port Insert a USB flash drive for printing without a computer or to update the printer firmware. NOTE: An administrator must enable this port before use.
5	Upper-right door (access to clear jams)
6	Right door (access to the fuser and to clear jams)
7	Tray 1
8	On/off button
9	Model name
10	Tray 2
11	Front door (access to the toner cartridges, imaging drums, and waste toner collection unit)

Printer back view (M856/E85055)

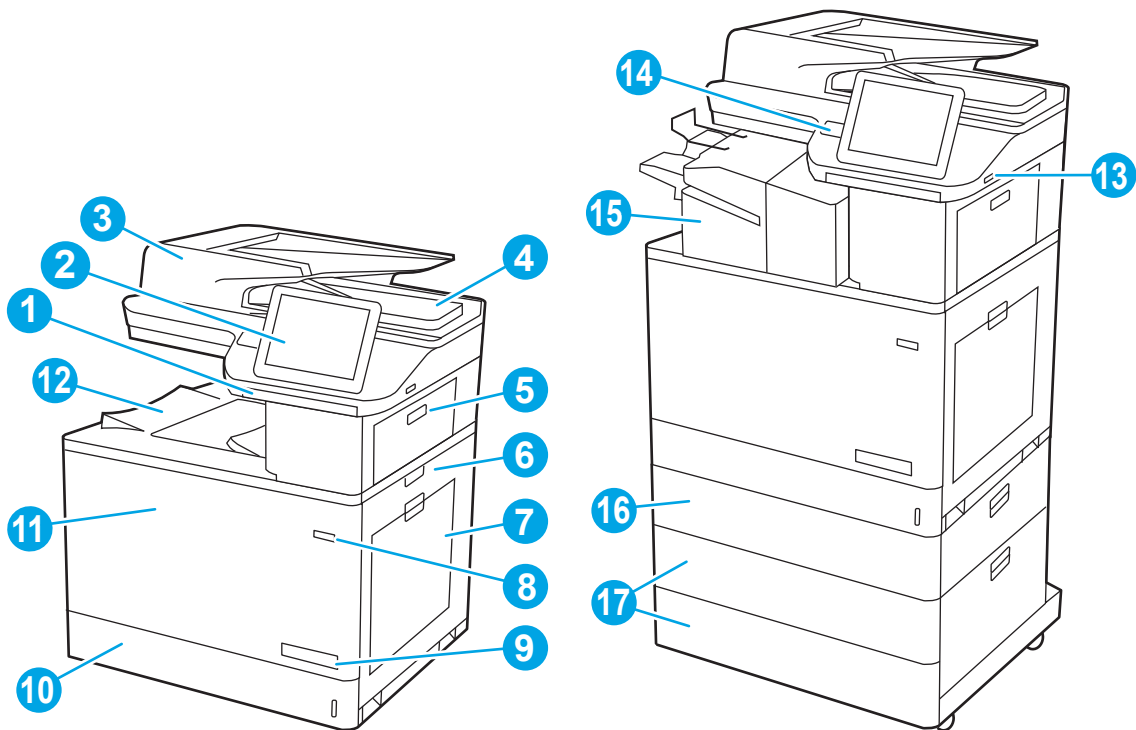
Locate features on the back of the printer (M856/E85055).



Number	Description
1	Formatter cover
2	Slot for a cable-type security lock
3	Formatter (contains the interface ports)
4	Left door (access to the toner-collection unit)
	NOTE: The front door also must be open in order to access the toner-collection unit.
5	Power connection
6	Serial number and product number label

Printer front view (M776)

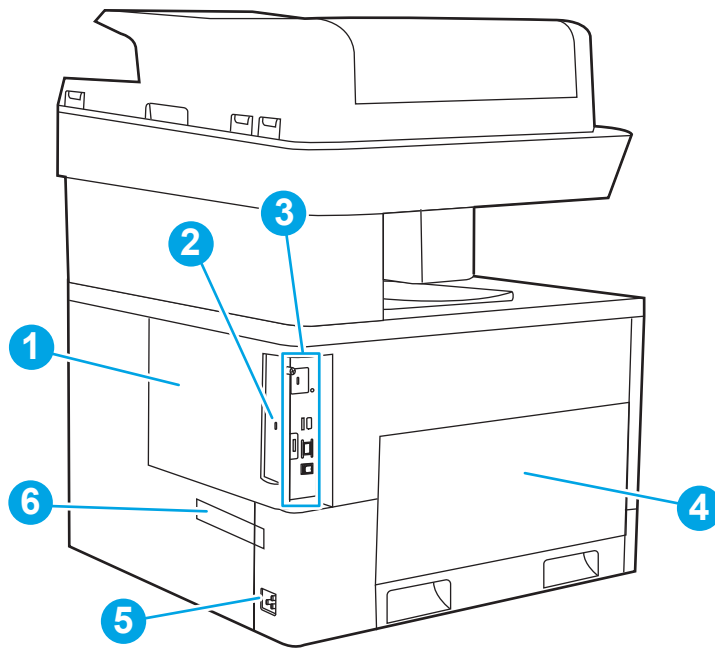
Locate features on the front of the printer (M776).



Number	Description
1	Retractable keyboard (Flow models)
2	Control panel
3	Document feeder cover
4	Document feeder output bin
5	Upper-right door (access to clear jams)
6	Right door (access to the fuser and to clear jams)
7	Tray 1
8	On/off button
9	Model name
10	Tray 2
11	Front door (access to the toner cartridges, imaging drums, and waste toner collection unit)
12	Output bin
13	Easy-access USB port Insert a USB flash drive for printing without a computer or to update the printer firmware. NOTE: An administrator must enable this port before use.
14	Hardware integration pocket for connecting accessory and third-party devices
15	Inline finisher (zs model only)
16	1 x 550 paper tray (included with the zs model; optional accessory for other models)
17	2 x 550 paper tray (included with the zs model; optional accessory for other models)

Printer back view (M776)

Locate features on the back of the printer (M776).




Number	Description
1	Formatter cover
2	Slot for a cable-type security lock
3	Formatter (contains the interface ports)
4	Left door (access to the toner-collection unit)
	NOTE: The front door also must be opened in order to access the toner-collection unit.
5	Power connection
6	Serial number and product number label

How to use the parts lists and diagrams

Learn how to use the parts lists and diagrams.

The figures in this chapter show the major sub-assemblies in the printer and their component parts. A parts list table follows each exploded view assembly diagram. The table lists the item number, the associated part number, and the description of each part. If a part is not listed in the table, then it is not a field replacement unit (FRU).

 **NOTE:** The abbreviation “PCA” stands for “printed circuit-board assembly.” Components described as a PCA might consist of a single circuit board or a circuit board plus other parts, such as cables and sensors.

Parts and diagrams: Document feeder and image scanner (M776)

Parts diagram and parts list for the internal printer assemblies.

Figure 2-1 Document feeder and image scanner (M776)

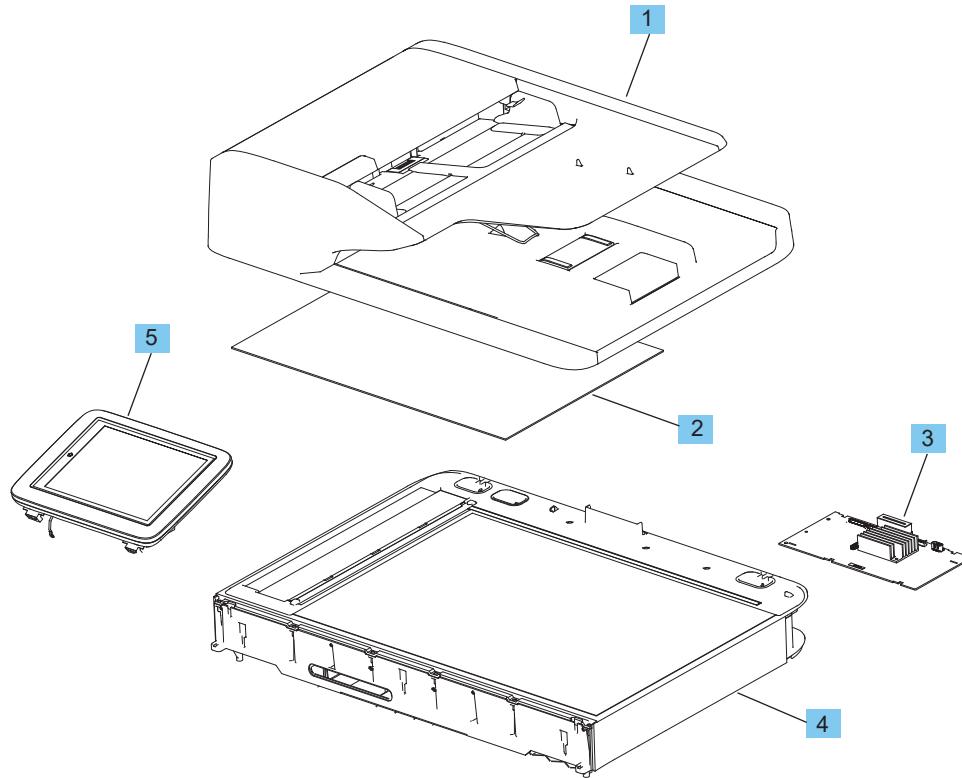


Table 2-8 Document feeder and image scanner (M776)

Ref	Part number	Description	Qty
1	5851-7930	ADF whole unit enterprise	1
1	5851-7931	ADF whole unit work flow	1
2	J7Z09-67926	White backing A3 kit	1
3	5851-7916	SCB enterprise	1
3	5851-7917	SCB work flow	1
4	5851-7915	Image scanner whole unit	1
5	J7Z09-67928	Control panel (M776)	1
Not shown	5851-7202	Document feeder roller kit	1
Not shown	J7Z09-67927	White backing retention clip kit	1
Not shown	J7Z09-67931	ADF hinges kit	1

Parts and diagrams: Printer components

View parts diagrams and parts lists for printer components.

- [Parts and diagrams: Printer components \(M751/E75245\)](#)
- [Parts and diagrams: Printer components \(M856/E85055/M776dn/M776z\)](#)
- [Parts and diagrams: Printer components \(M776zs\)](#)

Parts and diagrams: Printer components (M751/E75245)

View parts diagrams and parts lists for the M751/E75245 printer components.

- [Parts and diagrams: Printer covers \(M751/E75245\)](#)
- [Parts and diagrams: Printer internal assemblies \(M751/E75245; 1 of 7\)](#)
- [Parts and diagrams: Printer internal assemblies \(M751/E75245; 2 of 7\)](#)
- [Parts and diagrams: Printer internal assemblies \(M751/E75245; 3 of 7\)](#)
- [Parts and diagrams: Printer internal assemblies \(M751/E75245; 4 of 7\)](#)
- [Parts and diagrams: Printer internal assemblies \(M751/E75245; 5 of 7\)](#)
- [Parts and diagrams: Printer internal assemblies \(M751/E75245; 6 of 7\)](#)
- [Parts and diagrams: Printer internal assemblies \(M751/E75245; 7 of 7\)](#)

Parts and diagrams: Printer covers (M751/E75245)

Parts diagram and parts list for the printer covers (M751/E75245).

Figure 2-2 Printer covers (M751/E75245)

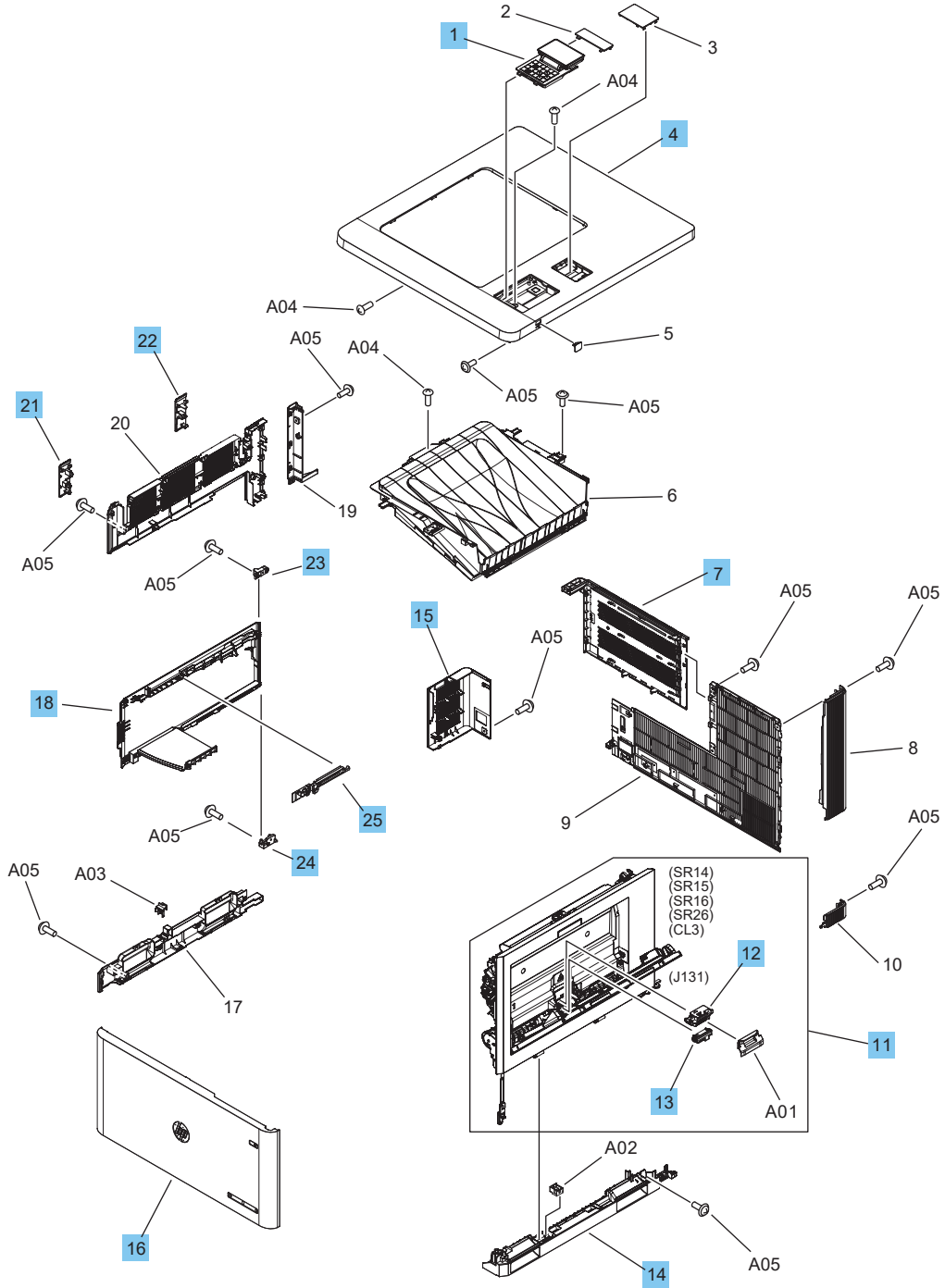


Table 2-9 Printer covers (M751/E75245)

Ref	Part number	Description	Qty
1	5851-7253	Control panel (M751/E75245)	1
4	RC5-0658-000CN	Cover, upper	1
7	RM2-1346-000CN	Formatter cover assembly	1
11	RM2-1494-000CN	Right door assembly	1
12	RM2-1525-000CN	Tray 1 pickup roller	1
13	RM2-1525-000CN	Tray 1 separation roller	1
14	RM2-1376-000CN	Right handle assembly	1
15	RC5-1804-000CN	Cover, left rear	1
16	RM2-1368-000CN	Front door assembly	1
18	RM2-1351-000CN	Left door assembly	1
21	RC5-1805-000CN	Cover, left upper, F	1
22	RC5-1806-000CN	Cover, left upper, R	1
23	RC5-0770-000CN	Hinge, left door, upper	1
24	RC5-0801-000CN	Hinge, cover, left	1
25	RM2-1350-000CN	Left cover lock assembly	1

Parts and diagrams: Printer internal assemblies (M751/E75245; 1 of 7)

Parts diagram and parts list for the internal printer assemblies.

Figure 2-3 Printer internal assemblies (M751/E75245; 1 of 7)

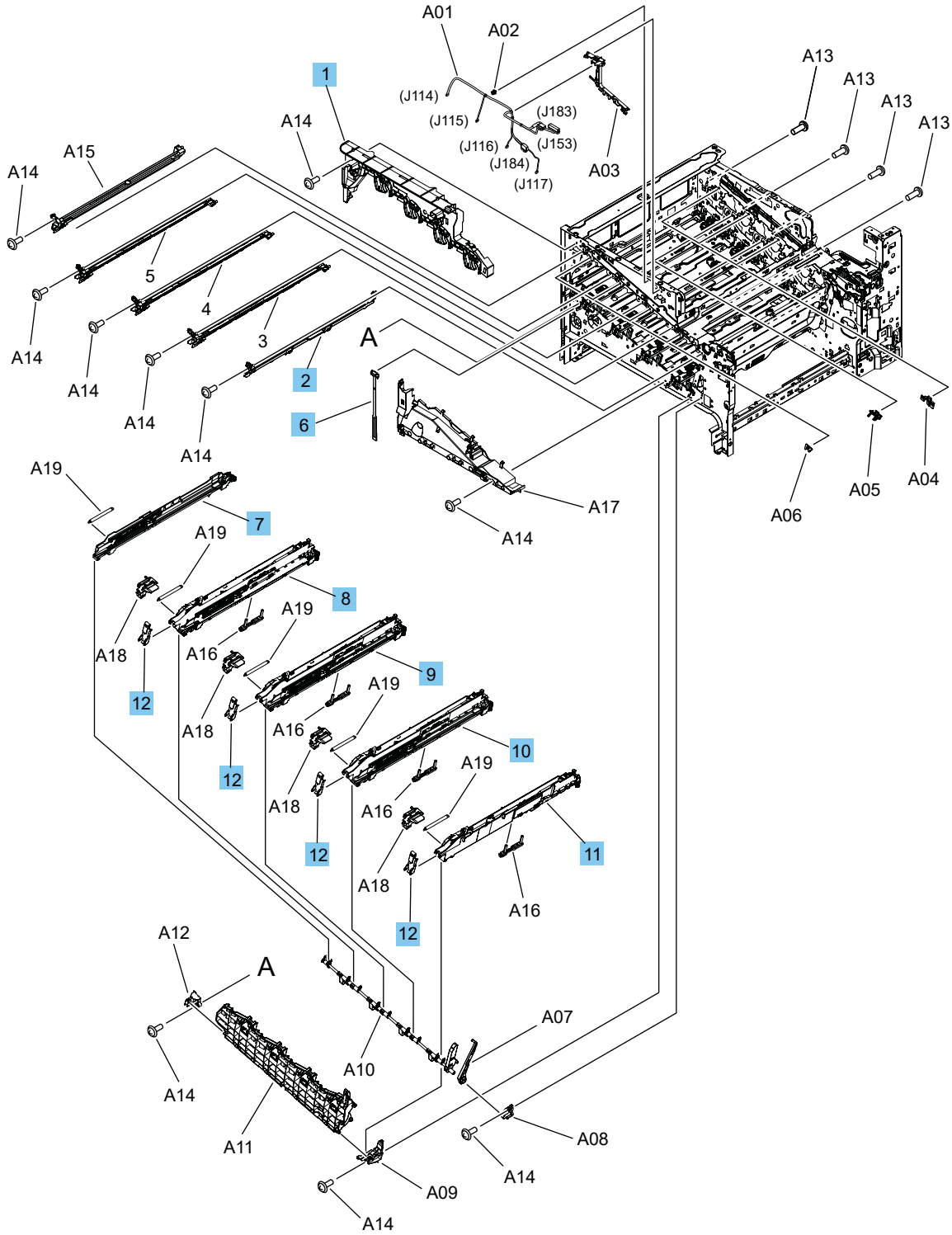


Table 2-10 Printer internal assemblies (M751/E75245; 1 of 7)

Ref	Part number	Description	Qty
1	RM2-1343-000CN	Cartridge upper guide assembly	1
2	RM2-1340-000CN	Black pre-exposure assembly	1
6	RC5-0722-000CN	Arm, front door, left	1
7	RM2-1357-000CN	DT cartridge rail assembly	1
8	RM2-1354-000CN	First cartridge rail assembly	1
9	RM2-1353-000CN	Second cartridge rail assembly	1
10	RM2-1355-000CN	Third cartridge rail assembly	1
11	RM2-1356-000CN	Black cartridge rail assembly	1
12	RL2-2091-000CN	Cartridge guide	4

Parts and diagrams: Printer internal assemblies (M751/E75245; 2 of 7)

Parts diagram and parts list for the internal printer assemblies.

Figure 2-4 Printer internal assemblies (M751/E75245; 2 of 7)

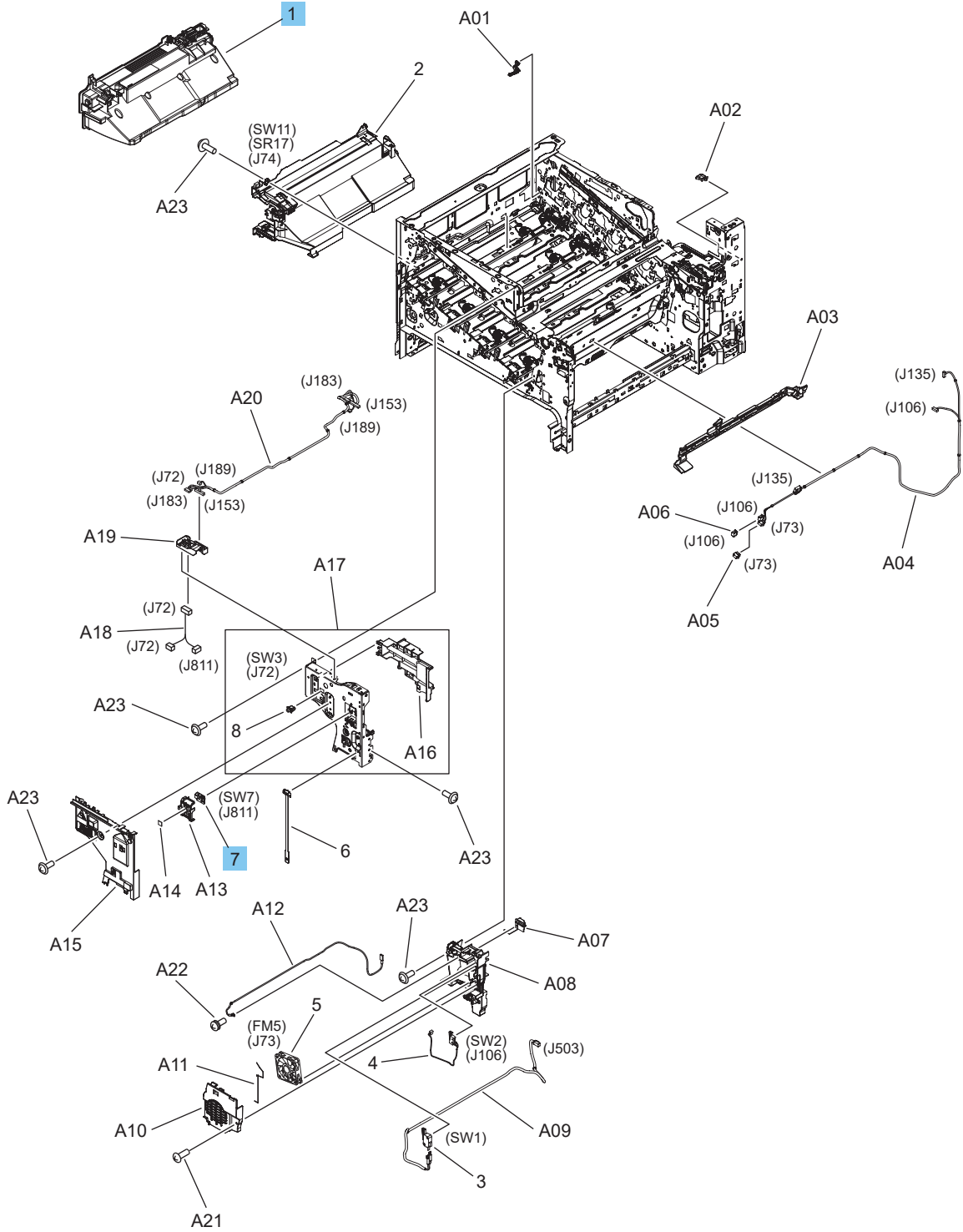


Table 2-11 Printer internal assemblies (M751/E75245; 2 of 7)

Ref	Part number	Description	Qty
1	3WT90-67901	Toner collection unit	1
7	RM2-9610-000CN	Power switch PCB assembly	1

Parts and diagrams: Printer internal assemblies (M751/E75245; 3 of 7)

Parts diagram and parts list for the internal printer assemblies.

Figure 2-5 Printer internal assemblies (M751/E75245; 3 of 7)

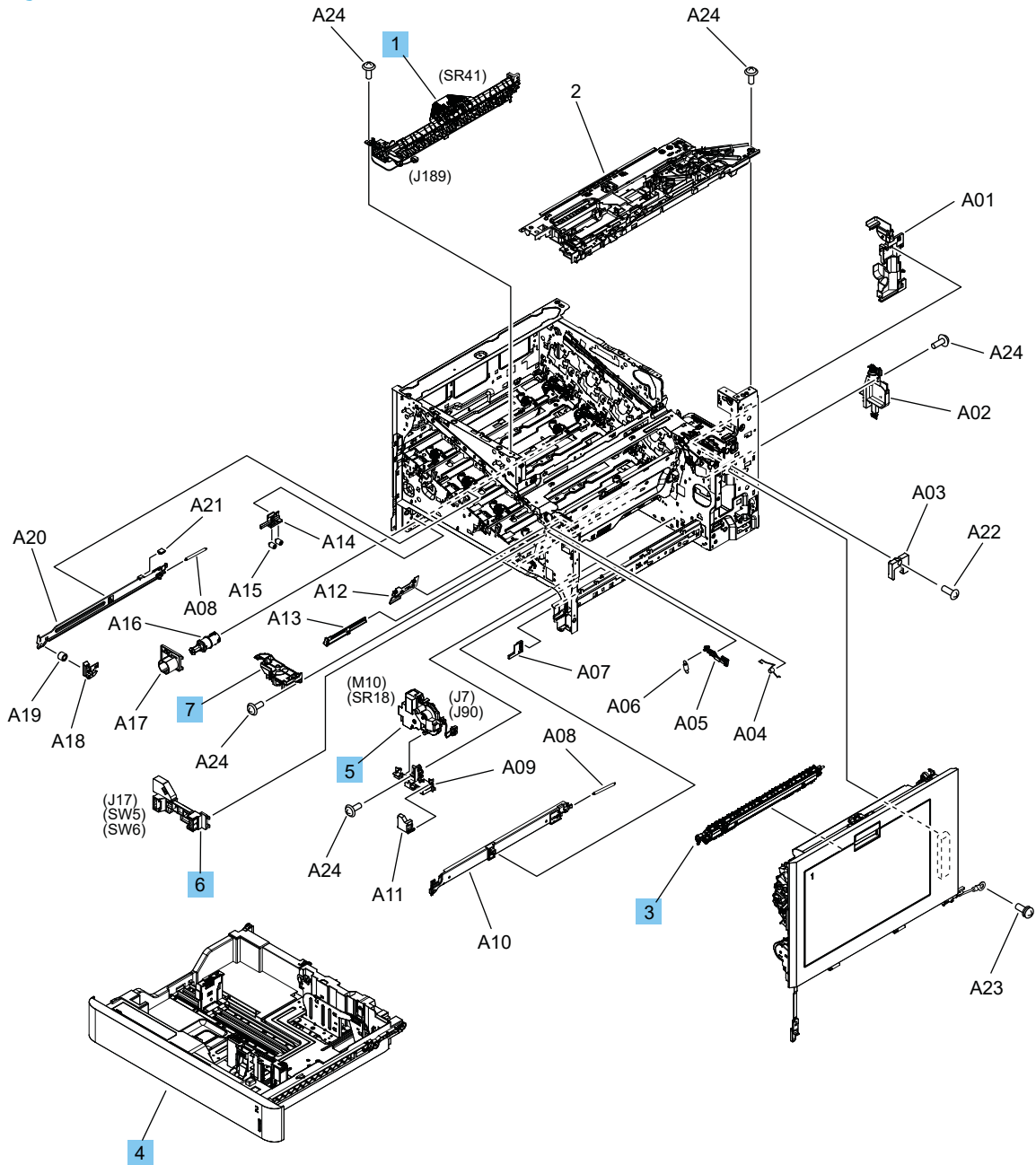


Table 2-12 Printer internal assemblies (M751/E75245; 3 of 7)

Ref	Part number	Description	Qty
1	RM2-1498-000CN	Paper delivery assembly	1
3	RM2-1399-010CN	Secondary transfer roller	1
4	RM2-1394-000CN	Cassette assembly	1
5	RM2-1604-000CN	Lifter drive assembly	1
6	RM2-1436-000CN	Size detect switch assembly	1
7	RM2-1605-000CN	Auto close assembly	1

Parts and diagrams: Printer internal assemblies (M751/E75245; 4 of 7)

Parts diagram and parts list for the internal printer assemblies.

Figure 2-6 Printer internal assemblies (M751/E75245; 4 of 7)

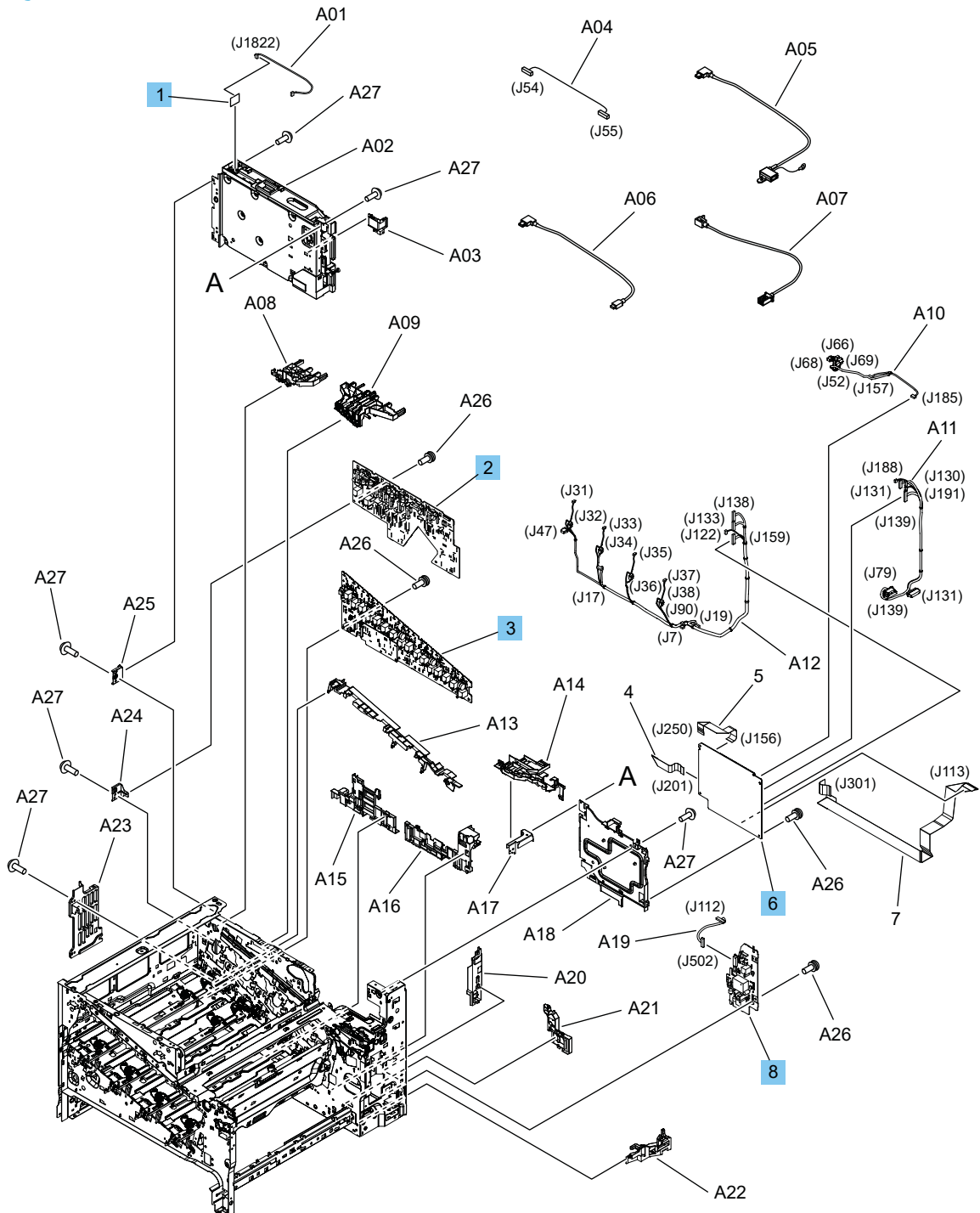


Table 2-13 Printer internal assemblies (M751/E75245; 4 of 7)

Ref	Part number	Description	Qty
1	RM3-7351-000CN	Memory PCB assembly	1
2	RM2-9601-000CN	Upper high-voltage power supply PCB assembly	1
3	RM2-9624-000CN	Lower high-voltage power supply PCB assembly	1
6	RM2-9630-000CN	DC controller PCB assembly	1
8	RM2-9623-000CN	Second transfer high-voltage PCB assembly	1
Not shown	5851-7702	Formatter PCA (M751/E75245/M856/E85055) (sPAB - SFP)	1
Not shown	5851-7703	Formatter PCA (M751/E75245/M856/E85055) (sPAB - SFP; India/China)	1
Not shown	5851-7704	Formatter PCA + SDS (M751/E75245/M856/E85055) (sPAB - SFP)	1
Not shown	5851-7705	Formatter PCA + SDS (M751/E75245/M856/E85055) (sPAB - SFP; India/China)	1
Not shown	0960-3659	Wireless PCA board	1

Parts and diagrams: Printer internal assemblies (M751/E75245; 5 of 7)

Parts diagram and parts list for the internal printer assemblies.

Figure 2-7 Printer internal assemblies (M751/E75245; 5 of 7)

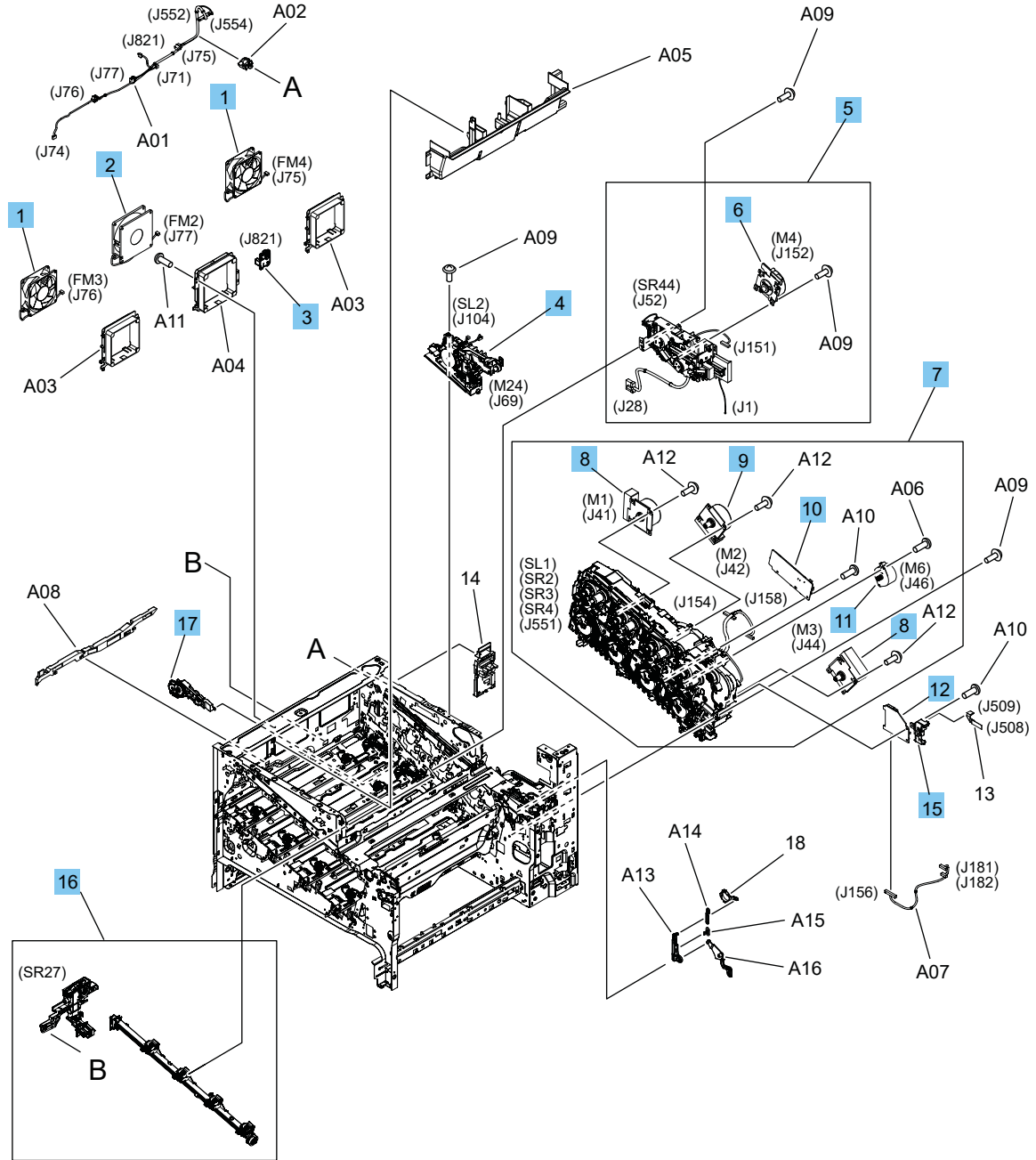


Table 2-14 Printer internal assemblies (M751/E75245; 5 of 7)

Ref	Part number	Description	Qty
1	RK2-2276-000CN	Fan	2
2	RK2-9148-000CN	Fan	1
3	RM2-9620-000CN	Environment sensor PCB assembly	1
4	RM2-1392-000CN	Duplexing drive assembly	1
5	RM2-1391-000CN	Fuser drive assembly	1
6	RM2-1456-000CN	Fuser motor assembly	1
7	RM2-1614-000CN	Main drive assembly	1
8	RM2-1612-000CN	Main motor assembly	2
9	RM2-1613-000CN	Main motor assembly	1
10	RM2-9618-000CN	Main connecting PCB assembly	1
11	RK2-6027-000CN	Motor, stepping	1
12	RM2-9622-000CN	Connecting PCB assembly	1
15	RC5-1656-000CN	Guide, PCB cable	1
16	RM2-1520-000CN	Waste toner feed assembly	1
17	RM2-1364-000CN	Waste toner gear base assembly	1

Parts and diagrams: Printer internal assemblies (M751/E75245; 6 of 7)

Parts diagram and parts list for the internal printer assemblies.

Figure 2-8 Printer internal assemblies (M751/E75245; 6 of 7)

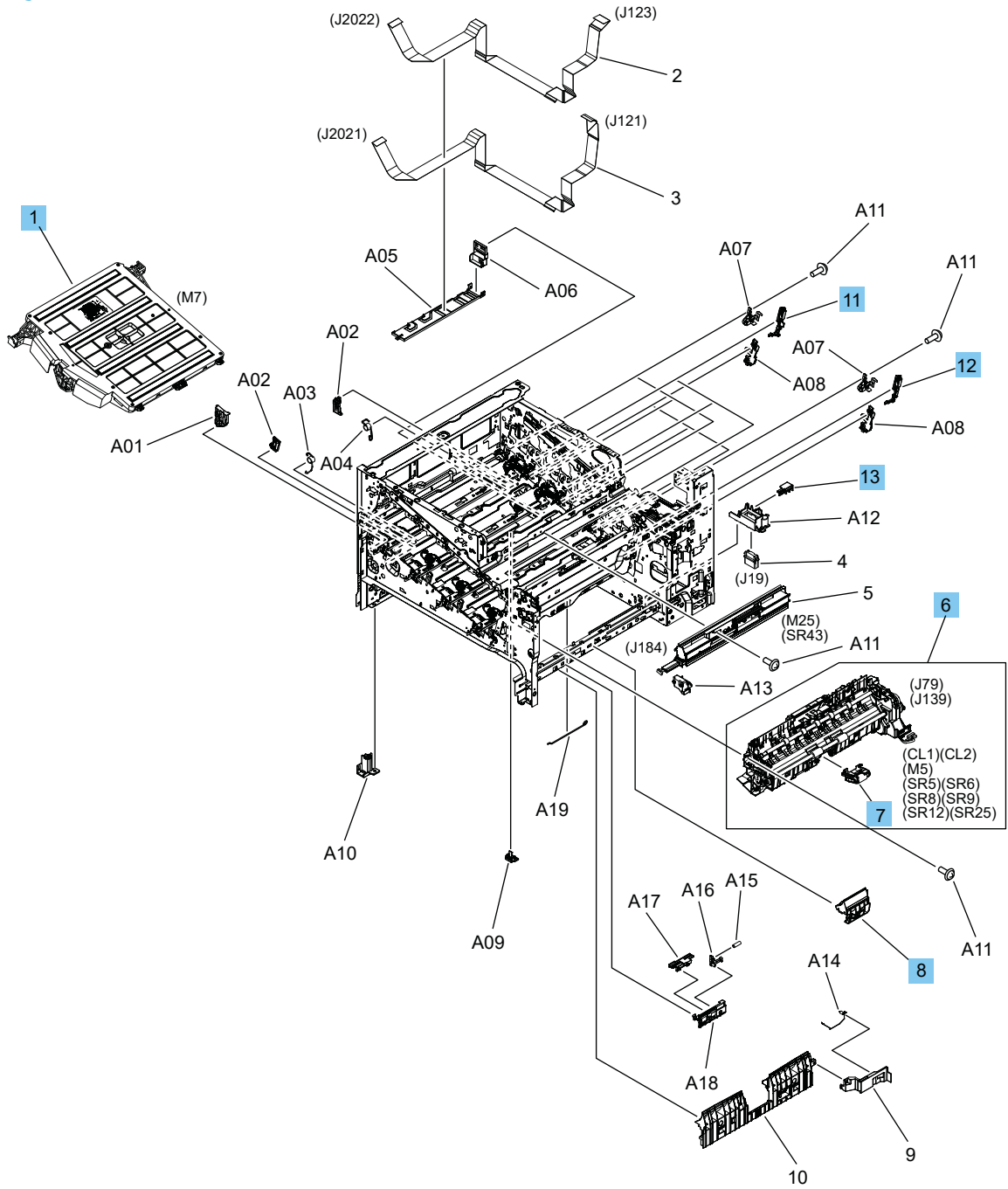


Table 2-15 Printer internal assemblies (M751/E75245; 6 of 7)

Ref	Part number	Description	Qty
1	RM2-1328-020CN	Laser scanner assembly	1
6	RM2-1393-010CN	Paper pickup assembly	1
7	RM2-1526-000CN	Paper pickup roller assembly	1
8	RM2-1526-000CN	Separation roller holder assembly	1
11	RM2-1366-000CN	Waste toner feed link assembly	3
12	RM2-1367-000CN	Waste toner feed link assembly	1
13	RC5-1681-000CN	Spacer, drawer holder	1

Parts and diagrams: Printer internal assemblies (M751/E75245; 7 of 7)

Parts diagram and parts list for the internal printer assemblies.

Figure 2-9 Printer internal assemblies (M751/E75245; 7 of 7)

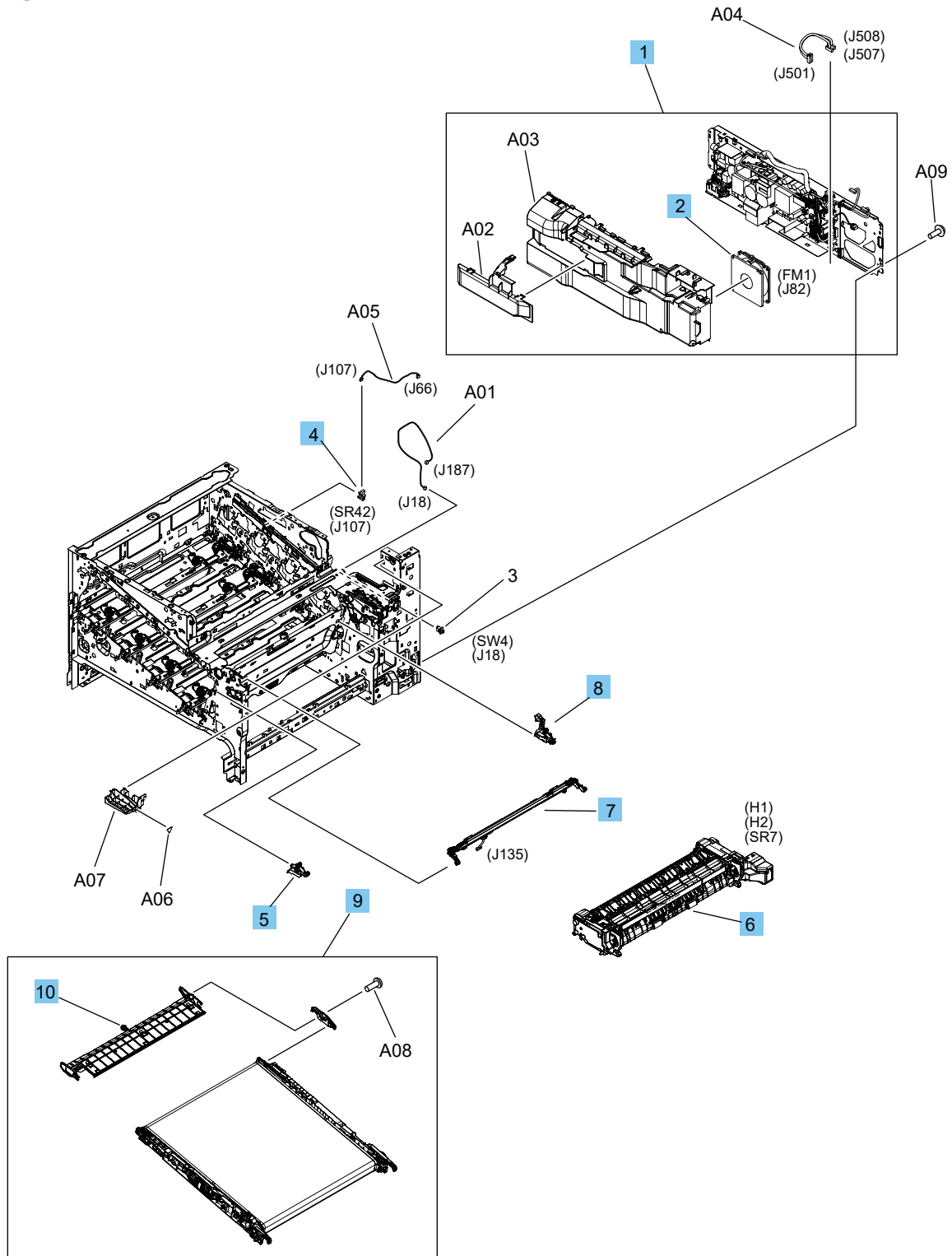


Table 2-16 Printer internal assemblies (M751/E75245; 7 of 7)

Ref	Part number	Description	Qty
1	RM2-1445-000CN	Low-voltage power supply (110V-127V)	1
1	RM2-1453-000CN	Low-voltage power supply (220V-240V)	1
2	RK2-9148-000CN	Fan	1
4	WG8-5935-000CN	IC, photointerrupter	2
5	RM2-1389-000CN	RD pressure link assembly, front	1
6	3WT87-67901	Fuser Kit (110V)	1
6	3WT88-67901	Fuser Kit (220V)	1
7	RM2-1501-000CN	Registration density sensor assembly	1
8	RM2-1390-000CN	RD pressure link assembly, rear	1
9	RM2-1504-000CN	Intermediate transfer belt	1
10	RM2-1490-000CN	Transfer cleaner assembly	1

Parts and diagrams: Printer components (M856/E85055/M776dn/M776z)

View parts diagrams and parts lists for the M856/E85055/M776dn/M776z printer components.

- [Parts and diagrams: Printer covers \(M856/E85055\)](#)
- [Parts and diagrams: Printer covers \(M776dn/M776z\)](#)
- [Parts and diagrams: Printer internal assemblies \(M856/E85055, M776dn/M776z; 1 of 8\)](#)
- [Parts and diagrams: Printer internal assemblies \(M856/E85055, M776dn/M776z; 2 of 8\)](#)
- [Parts and diagrams: Printer internal assemblies \(M856/E85055, M776dn/M776z; 3 of 8\)](#)
- [Parts and diagrams: Printer internal assemblies \(M856/E85055, M776dn/M776z; 4 of 8\)](#)
- [Parts and diagrams: Printer internal assemblies \(M856/E85055, M776dn/M776z; 5 of 8\)](#)
- [Parts and diagrams: Printer internal assemblies \(M856/E85055, M776dn/M776z; 6 of 8\)](#)
- [Parts and diagrams: Printer internal assemblies \(M856/E85055, M776dn/M776z; 7 of 8\)](#)
- [Parts and diagrams: Printer internal assemblies \(M856/E85055, M776dn/M776z; 8 of 8\)](#)

Parts and diagrams: Printer covers (M856/E85055)

Parts diagram and parts list for the printer covers (M856/E85055).

Figure 2-10 Printer covers (M856/E85055)

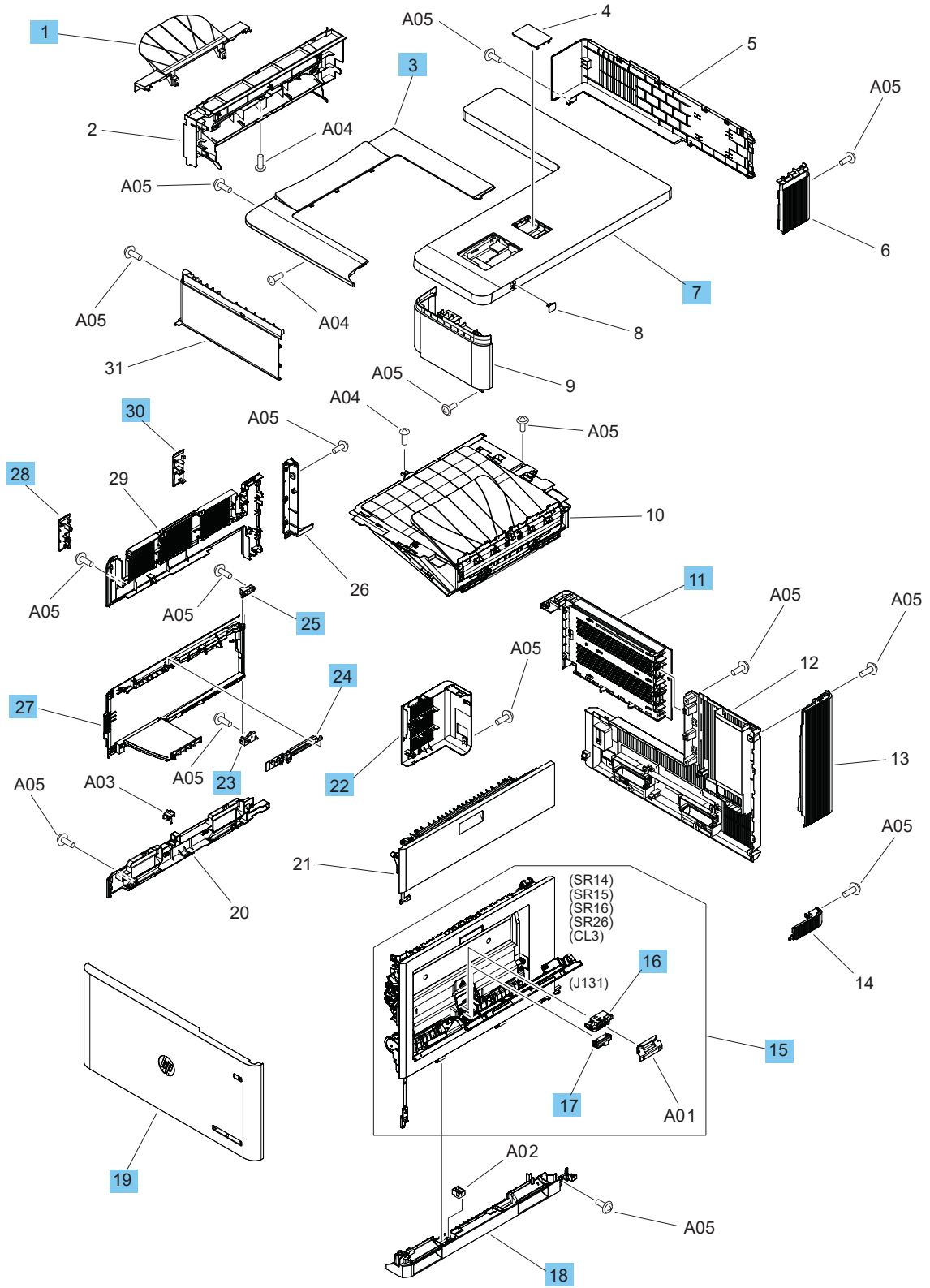


Table 2-17 Printer covers (M856/E85055)

Ref	Part number	Description	Qty
1	RL2-2563-000CN	Tray, reverse	1
3	RC5-2621-000CN	Cover, option, upper	1
7	RC5-2623-000CN	Cover, upper	1
11	RM2-2683-000CN	Formatter cover assembly	1
15	RM2-3434-000CN	Right door assembly	1
16	RM2-1525-000CN	Tray 1 pickup roller	1
17	RM2-1525-000CN	Tray 1 separation roller	1
18	RM2-1376-000CN	Right handle assembly	1
19	RM2-1368-000CN	Front door assembly	1
22	RC5-2632-000CN	Cover, left rear	1
23	RC5-0801-000CN	Hinge, cover, left	1
24	RM2-1350-000CN	Left cover lock assembly	1
25	RC5-0770-000CN	Hinge, left door, upper	1
27	RM2-1351-000CN	Left door assembly	1
28	RC5-1805-000CN	Cover, left upper, F	1
30	RC5-1806-000CN	Cover, left upper, R	1
Not shown	K0Q15-67901	Control panel (M856/E85055)	1

Parts and diagrams: Printer covers (M776dn/M776z)

Parts diagram and parts list for the printer covers (M776dn/M776z).

Figure 2-11 Printer covers (M776dn/M776z)

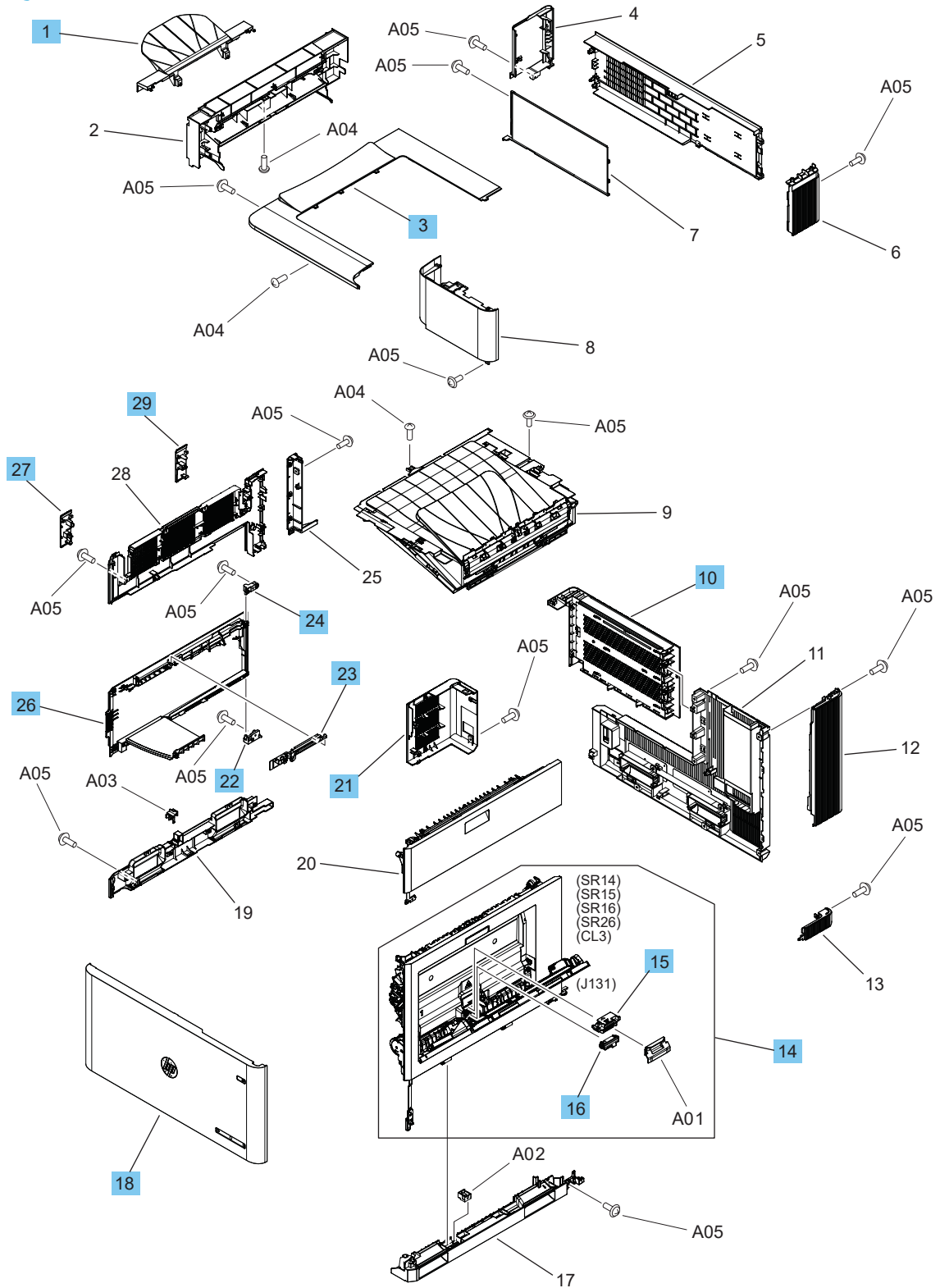


Table 2-18 Printer covers (M776dn/M776z)

Ref	Part number	Description	Qty
1	RL2-2563-000CN	Tray, reverse	1
3	RC5-2621-000CN	Cover, option, upper	1
10	RM2-2683-000CN	Formatter cover assembly	1
14	RM2-3434-000CN	Right door assembly	1
15	RM2-1525-000CN	Tray 1 pickup roller	1
16	RM2-1525-000CN	Tray 1 separation roller	1
18	RM2-1368-000CN	Front door assembly	1
21	RC5-2632-000CN	Cover, left rear	1
22	RC5-0801-000CN	Hinge, cover, left	1
23	RM2-1350-000CN	Left cover lock assembly	1
24	RC5-0770-000CN	Hinge, left door, upper	1
26	RM2-1351-000CN	Left door assembly	1
27	RC5-1805-000CN	Cover, left upper, F	1
29	RC5-1806-000CN	Cover, left upper, R	1

Parts and diagrams: Printer internal assemblies (M856/E85055, M776dn/M776z; 1 of 8)

Parts diagram and parts list for the internal printer assemblies.

Figure 2-12 Printer internal assemblies (M856/E85055, M776dn/M776z; 1 of 8)

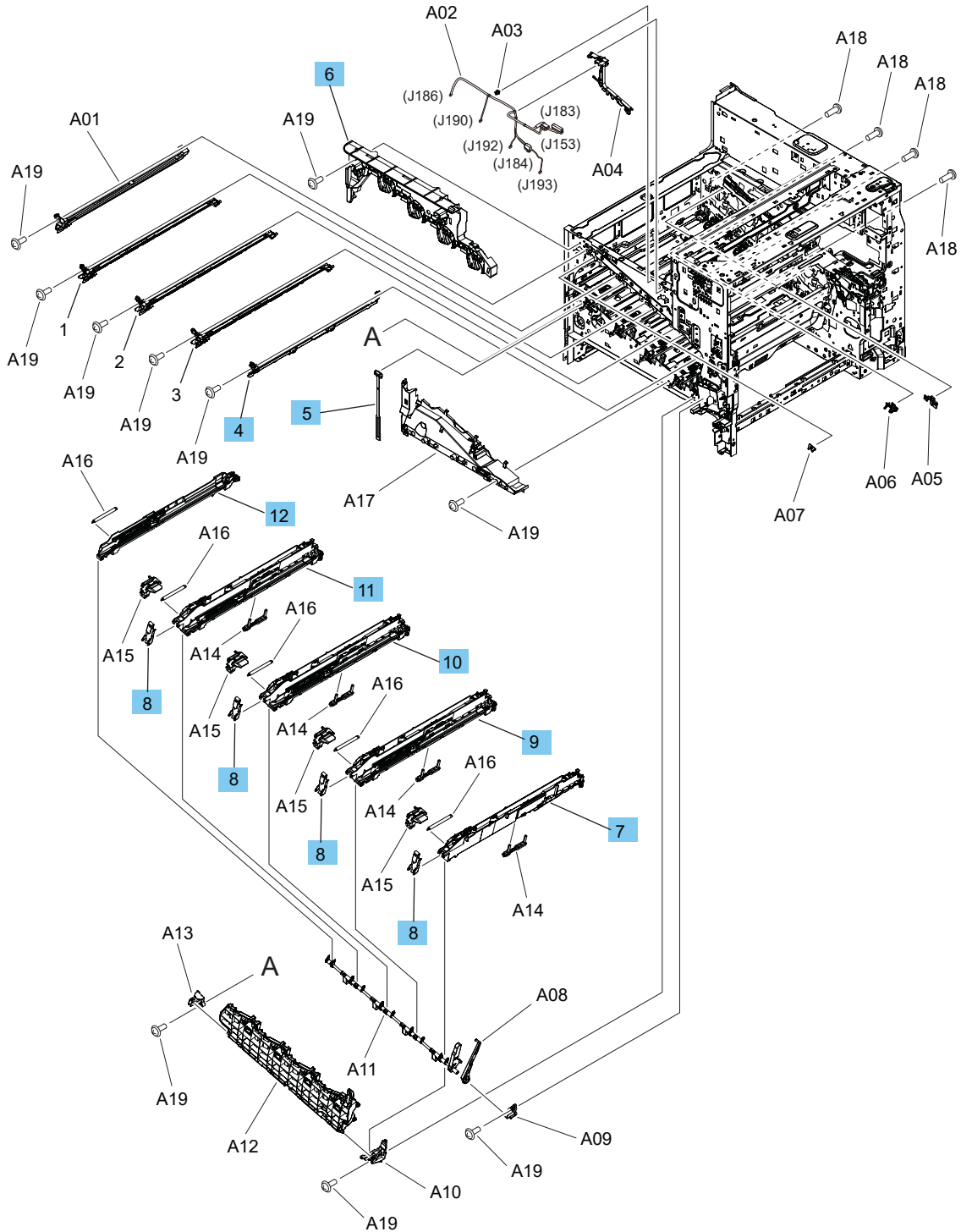


Table 2-19 Printer internal assemblies (M856/E85055, M776dn/M776z; 1 of 8)

Ref	Part number	Description	Qty
4	RM2-1340-000CN	Black pre-exposure assembly	1
5	RC5-0722-000CN	Arm, front door, left	1
6	RM2-1343-000CN	Cartridge upper guide assembly	1
7	RM2-1356-000CN	Black cartridge rail assembly	1
8	RL2-2091-000CN	Guide cartridge	4
9	RM2-2482-000CN	Third cartridge rail assembly	1
10	RM2-2480-000CN	Second cartridge rail assembly	1
11	RM2-2481-000CN	First cartridge rail assembly	1
12	RM2-2479-000CN	DT cartridge rail assembly	4

Parts and diagrams: Printer internal assemblies (M856/E85055, M776dn/M776z; 2 of 8)

Parts diagram and parts list for the internal printer assemblies.

Figure 2-13 Printer internal assemblies (M856/E85055, M776dn/M776z; 2 of 8)

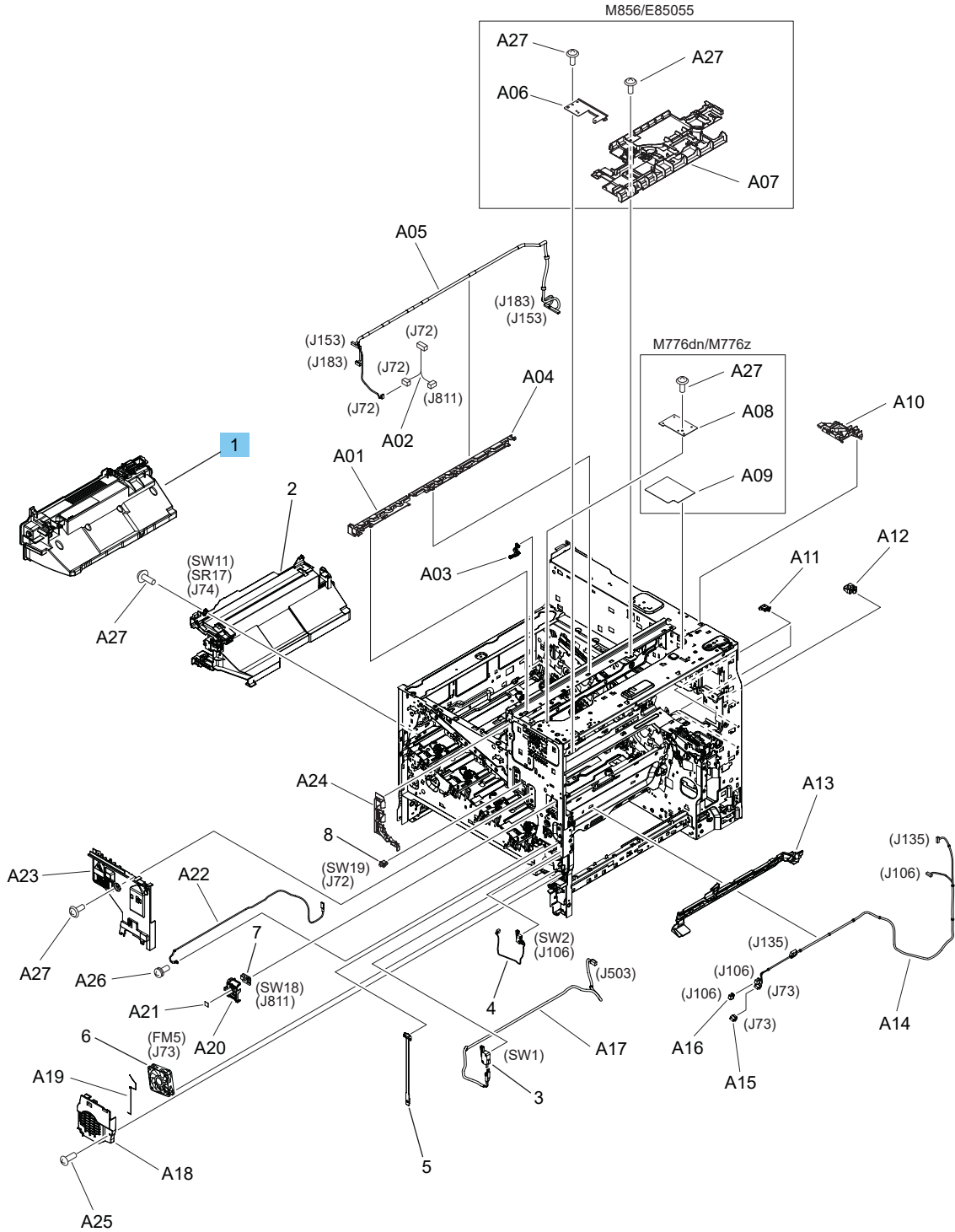


Table 2-20 Printer internal assemblies (M856/E85055, M776dn/M776z; 2 of 8)

Ref	Part number	Description	Qty
1	3WT90-67901	Toner collection unit	1

Parts and diagrams: Printer internal assemblies (M856/E85055, M776dn/M776z; 3 of 8)

Parts diagram and parts list for the internal printer assemblies.

Figure 2-14 Printer internal assemblies (M856/E85055, M776dn/M776z; 3 of 8)

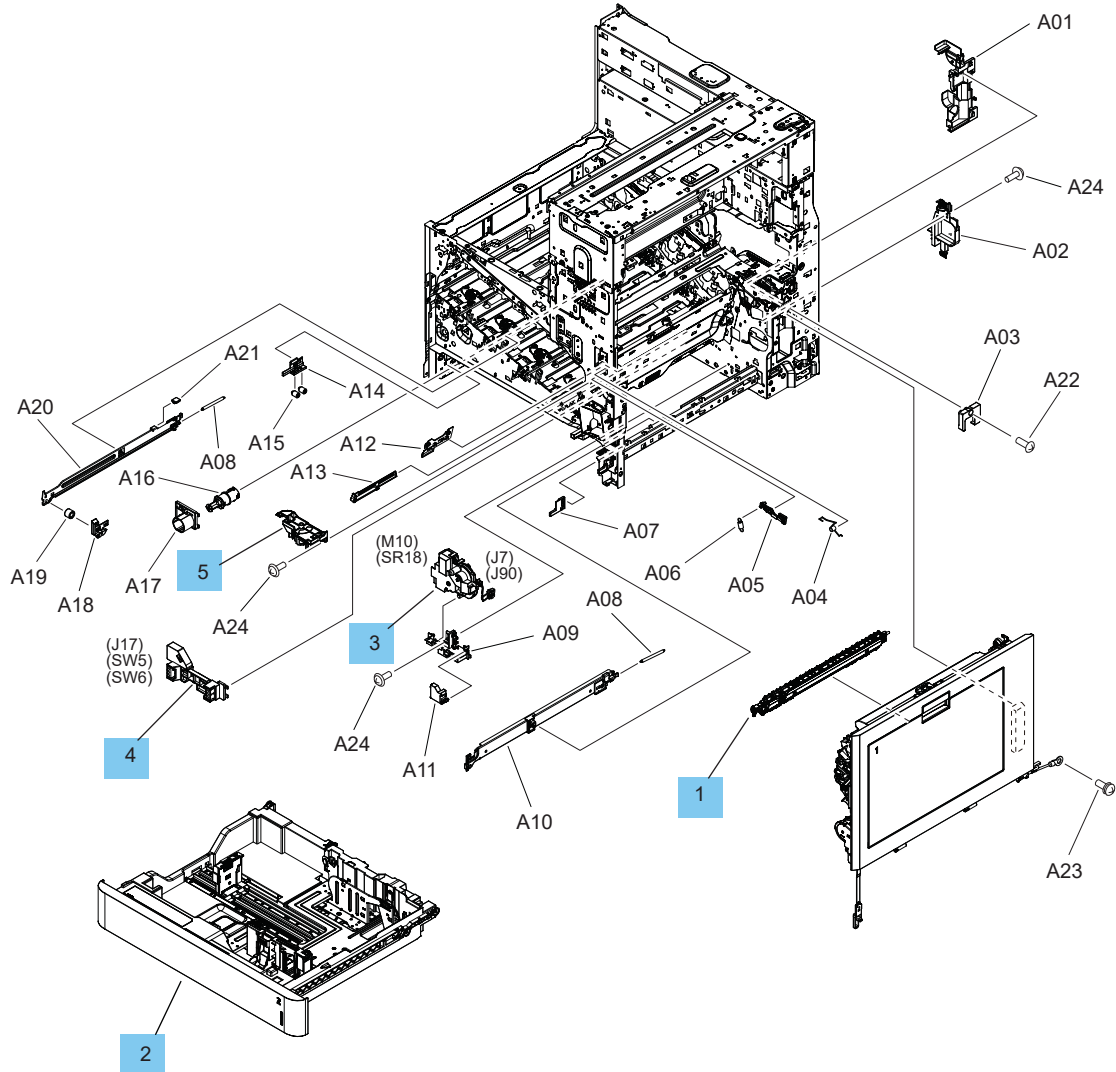


Table 2-21 Printer internal assemblies (M856/E85055, M776dn/M776z; 3 of 8)

Ref	Part number	Description	Qty
1	RM2-1399-010CN	Secondary transfer roller	1
2	RM2-1394-000CN	Cassette assembly	1
3	RM2-1604-000CN	Lifter drive assembly	1
4	RM2-1436-000CN	Size detect switch assembly	1
5	RM2-1605-000CN	Auto close assembly	1

Parts and diagrams: Printer internal assemblies (M856/E85055, M776dn/M776z; 4 of 8)

Parts diagram and parts list for the internal printer assemblies.

Figure 2-15 Printer internal assemblies (M856/E85055, M776dn/M776z; 4 of 8)

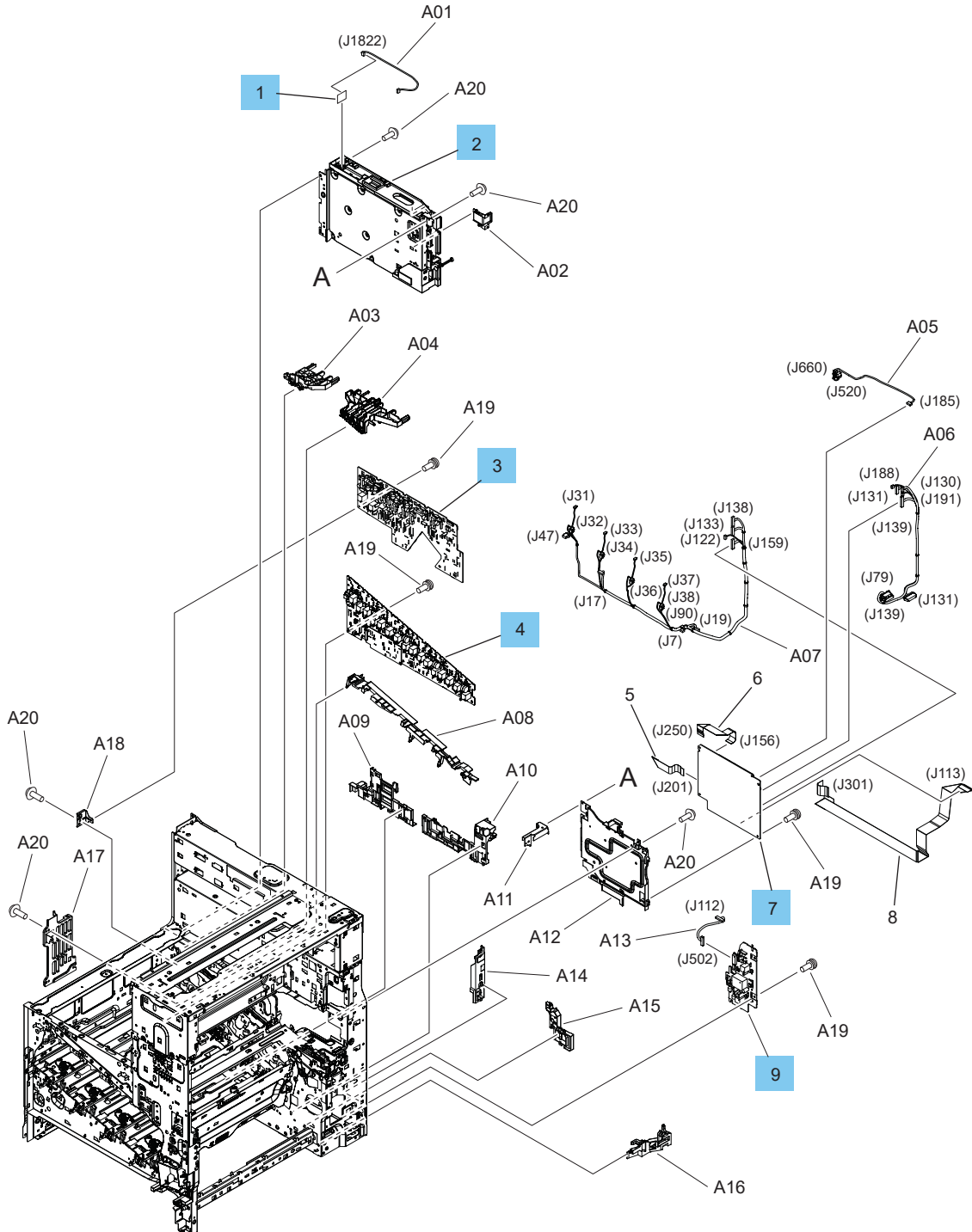


Table 2-22 Printer internal assemblies (M856/E85055, M776dn/M776z; 4 of 8)

Ref	Part number	Description	Qty
1	RM3-7351-000CN	Memory PCB assembly	1
2	RM2-2476-000CN	Formatter case assembly	1
3	RM2-9601-000CN	Upper high-voltage power supply PCB assembly	1
4	RM2-9624-000CN	Lower high-voltage power supply PCB assembly	1
7	RM2-9930-000CN	DC controller PCB assembly	1
9	RM2-9623-000CN	Second transfer H.V.T. PCB assembly	1
Not shown	5851-7702	Formatter PCA (M751/E75245/M856/E85055) (sPAB - SFP)	1
Not shown	5851-7703	Formatter PCA (M751/E75245/M856/E85055) (sPAB - SFP; India/China)	1
Not shown	5851-7704	Formatter PCA + SDS (M751/E75245/M856/E85055) (sPAB - SFP)	1
Not shown	5851-7705	Formatter PCA + SDS (M751/E75245/M856/E85055) (sPAB - SFP; India/China)	1
Not shown	5851-7913	Formatter PCA (M776) (sPAB - SFP)	1
Not shown	5851-7914	Formatter PCA (M776) (sPAB - SFP; India/China)	1
Not shown	0960-3659	Wireless PCA board	1

Parts and diagrams: Printer internal assemblies (M856/E85055, M776dn/M776z; 5 of 8)

Parts diagram and parts list for the internal printer assemblies.

Figure 2-16 Printer internal assemblies (M856/E85055, M776dn/M776z; 5 of 8)

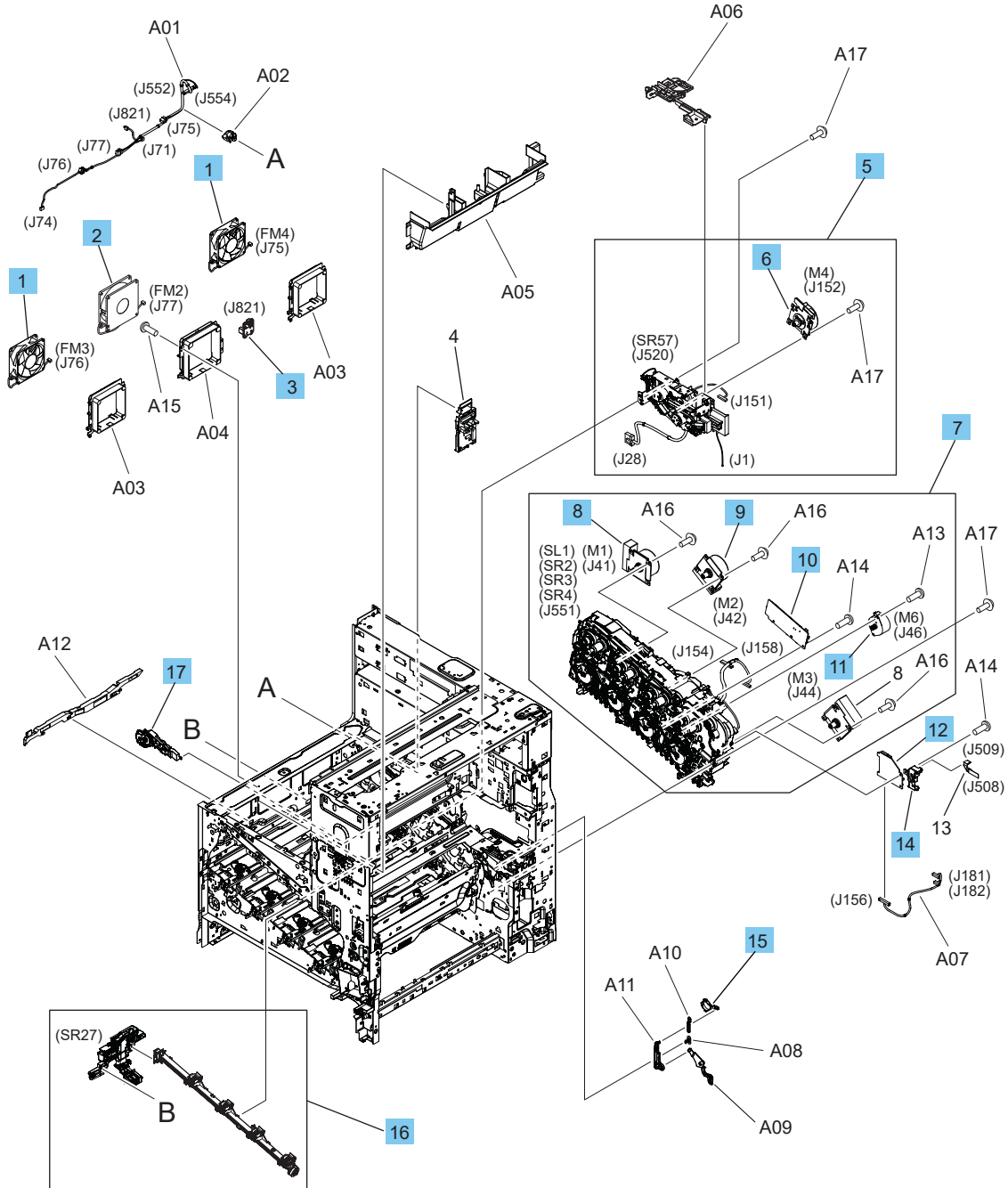


Table 2-23 Printer internal assemblies (M856/E85055, M776dn/M776z; 5 of 8)

Ref	Part number	Description	Qty
1	RK2-2276-000CN	Fan	2
2	RK2-9148-000CN	Fan	1
3	RM2-9620-000CN	Environment sensor PCB assembly	1
5	RM2-1391-000CN	Fuser drive assembly	1
6	RM2-1456-000CN	Fuser motor assembly	1
7	RM2-1614-000CN	Main drive assembly	1
8	RM2-1612-000CN	Main motor assembly	2
9	RM2-1613-000CN	Main motor assembly	1
10	RM2-9618-000CN	Connecting PCB assembly	1
11	RK2-6027-000CN	Motor, stepping	1
12	RM2-9622-000CN	Connecting PCB assembly	1
14	RC5-1656-000CN	Guide, PCB cable	1
15	RC5-1055-000CN	Cam, coupling estrangement	1
16	RM2-1520-000CN	Waste toner auger service kit	1
17	RM2-1364-000CN	Waste toner gear base assembly	1

Parts and diagrams: Printer internal assemblies (M856/E85055, M776dn/M776z; 6 of 8)

Parts diagram and parts list for the internal printer assemblies.

Figure 2-17 Printer internal assemblies (M856/E85055, M776dn/M776z; 6 of 8)

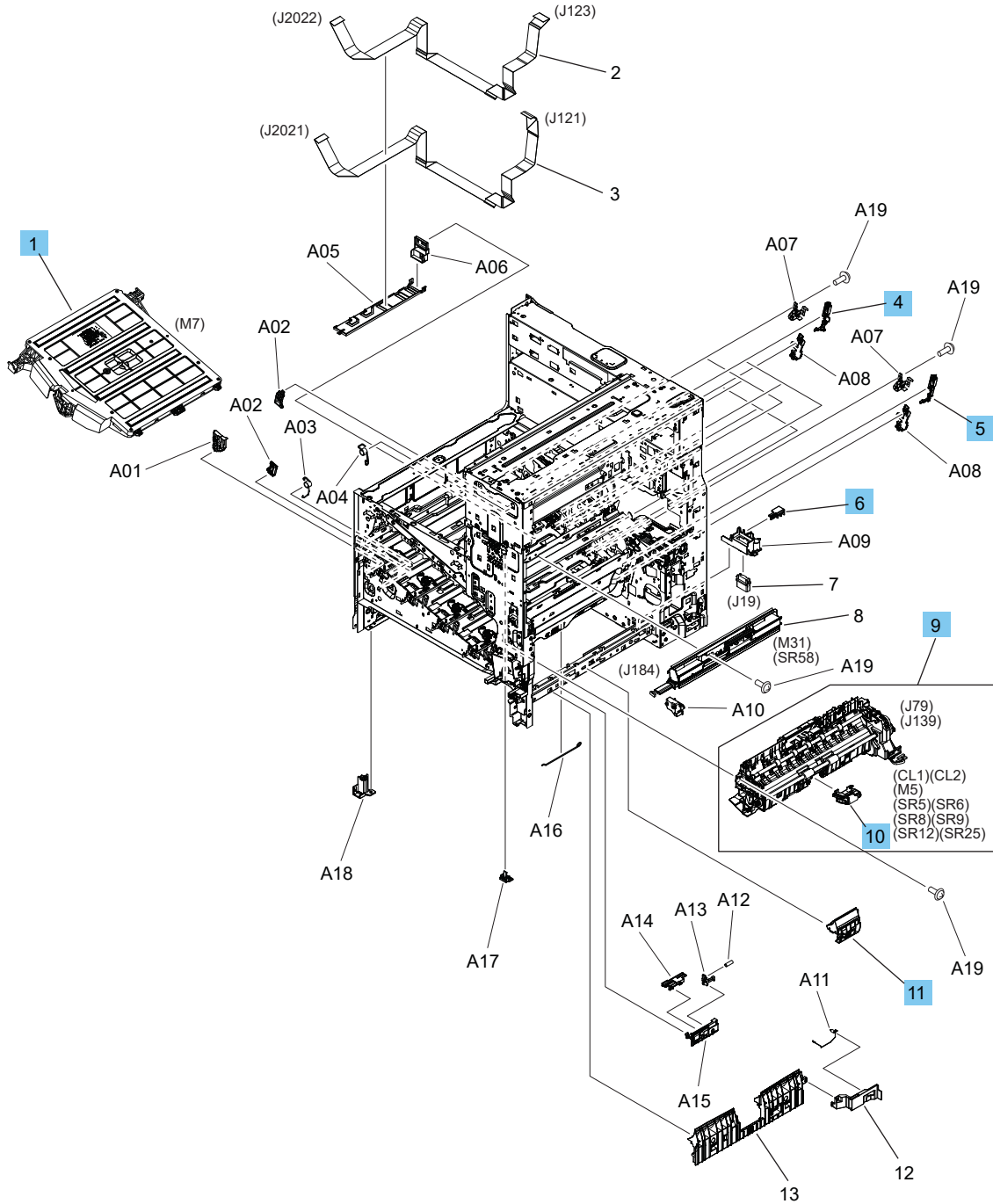


Table 2-24 Printer internal assemblies (M856/E85055, M776dn/M776z; 6 of 8)

Ref	Part number	Description	Qty
1	RM2-1328-020CN	Laser scanner assembly	1
4	RM2-1366-000CN	Waste toner feed link assembly	3
5	RM2-1367-000CN	Waste toner feed link assembly	1
6	RC5-1681-000CN	Spacer, drawer holder	1
9	RM2-3908-000CN	Paper pickup assembly	1
10	RM2-1526-000CN	Paper pickup roller assembly	1
11	RM2-1526-000CN	Separation roller holder assembly	1

Parts and diagrams: Printer internal assemblies (M856/E85055, M776dn/M776z; 7 of 8)

Parts diagram and parts list for the internal printer assemblies.

Figure 2-18 Printer internal assemblies (M856/E85055, M776dn/M776z; 7 of 8)

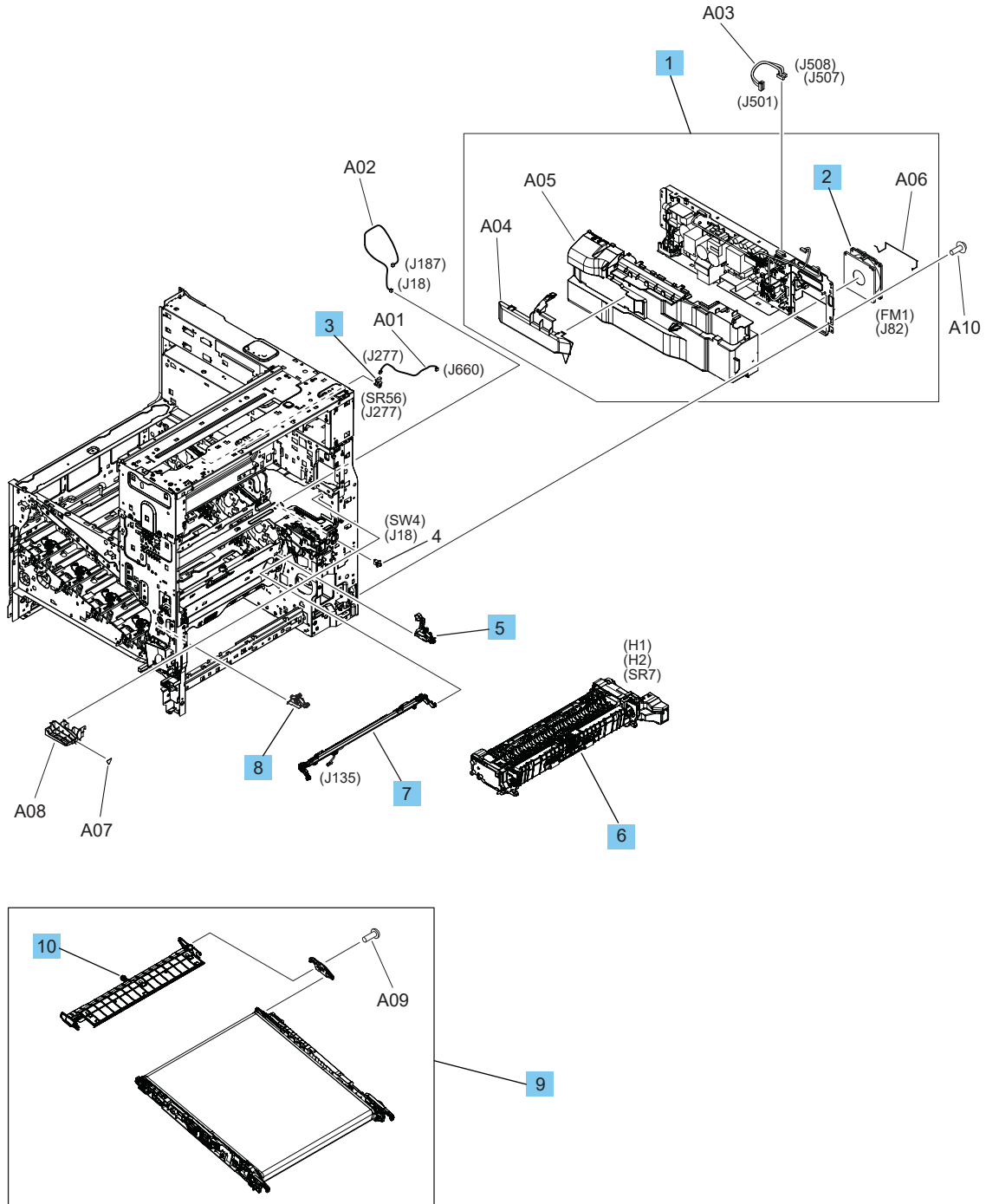


Table 2-25 Printer internal assemblies (M856/E85055, M776dn/M776z; 7 of 8)

Ref	Part number	Description	Qty
1	RM2-2473-000CN	Low-voltage power supply (110V-127V)	1
1	RM2-2474-000CN	Low-voltage power supply (220V-240V)	1
2	RK2-9148-000CN	Fan	1
3	WG8-5935-000CN	IC, photointerrupter	1
5	RM2-1390-000CN	RD pressure link assembly, rear	1
6	4YL16-67901	Fuser kit (110V)	1
6	4YL17-67901	Fuser kit (220V)	1
7	RM2-1501-000CN	Registration density sensor assembly, front	1
8	RM2-1389-000CN	RD pressure link assembly, front	1
9	RM2-1504-000CN	Intermediate transfer belt assembly	1
10	RM2-1490-000CN	Transfer cleaner assembly	1

Parts and diagrams: Printer internal assemblies (M856/E85055, M776dn/M776z; 8 of 8)

Parts diagram and parts list for the internal printer assemblies.

Figure 2-19 Printer internal assemblies (M856/E85055, M776dn/M776z; 8 of 8)

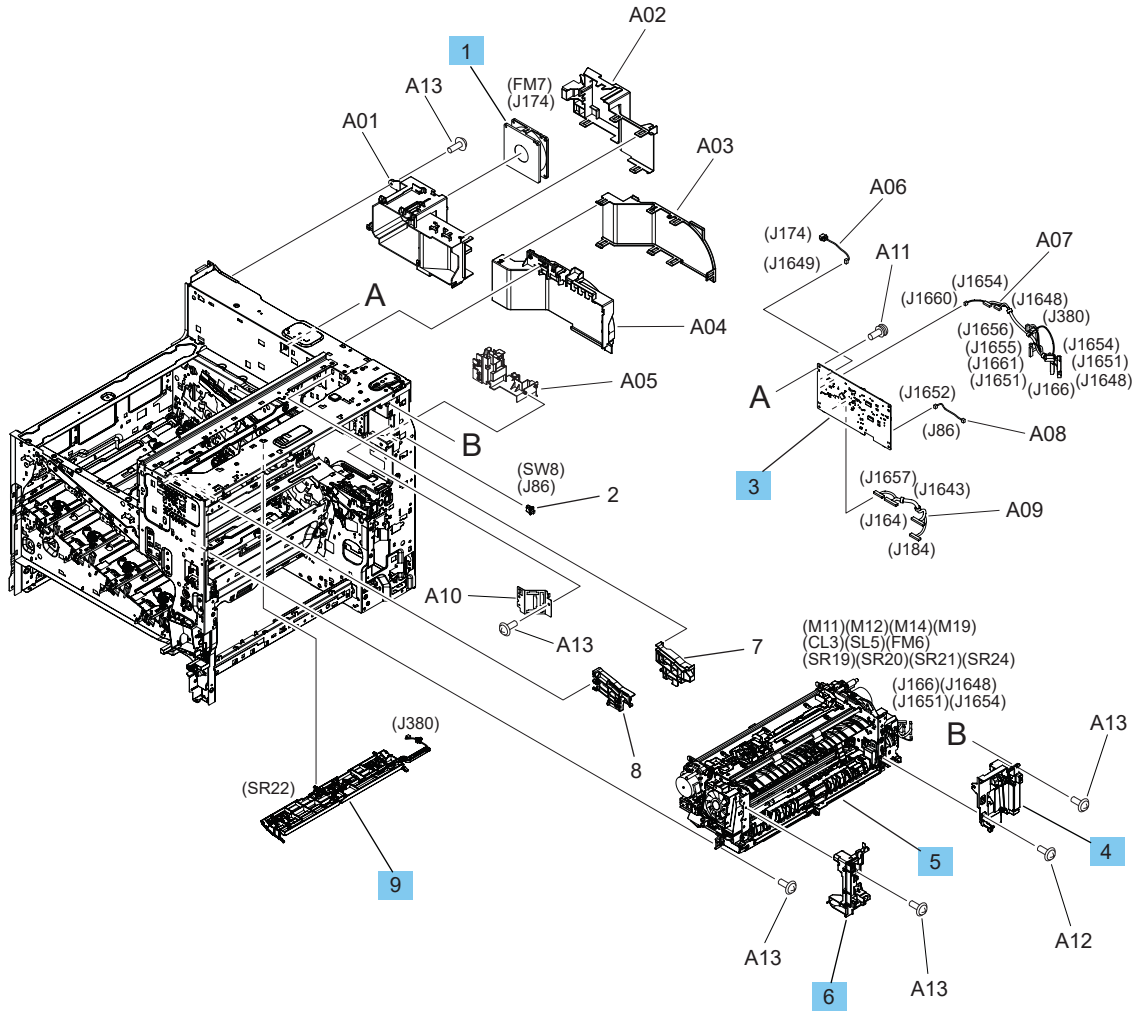


Table 2-26 Printer internal assemblies (M856/E85055, M776dn/M776z; 8 of 8)

Ref	Part number	Description	Qty
1	RK2-9148-000CN	Fan	1
3	RM2-9921-000CN	Duplexing controller PCB assembly	1
4	RM2-1763-000CN	Toggle rear assembly	1
5	RM2-1777-000CN	Paper delivery assembly	1
6	RM2-1764-000CN	Toggle front assembly	1
9	RM2-2690-000CN	Duplexing reverse guide assembly	1

Parts and diagrams: Printer components (M776zs)

View parts diagrams and parts lists for the M776zs printer components.

- [Parts and diagrams: Printer covers \(M776zs\)](#)
- [Parts and diagrams: Printer internal assemblies \(M776zs; 1 of 9\)](#)
- [Parts and diagrams: Printer internal assemblies \(M776zs; 2 of 9\)](#)
- [Parts and diagrams: Printer internal assemblies \(M776zs; 3 of 9\)](#)
- [Parts and diagrams: Printer internal assemblies \(M776zs; 4 of 9\)](#)
- [Parts and diagrams: Printer internal assemblies \(M776zs; 5 of 9\)](#)
- [Parts and diagrams: Printer internal assemblies \(M776zs; 6 of 9\)](#)
- [Parts and diagrams: Printer internal assemblies \(M776zs; 7 of 9\)](#)
- [Parts and diagrams: Printer internal assemblies \(M776zs; 8 of 9\)](#)
- [Parts and diagrams: Printer internal assemblies \(M776zs; 9 of 9\)](#)

Parts and diagrams: Printer covers (M776zs)

Parts diagram and parts list for the internal printer assemblies.

Figure 2-20 Printer covers (M776zs)

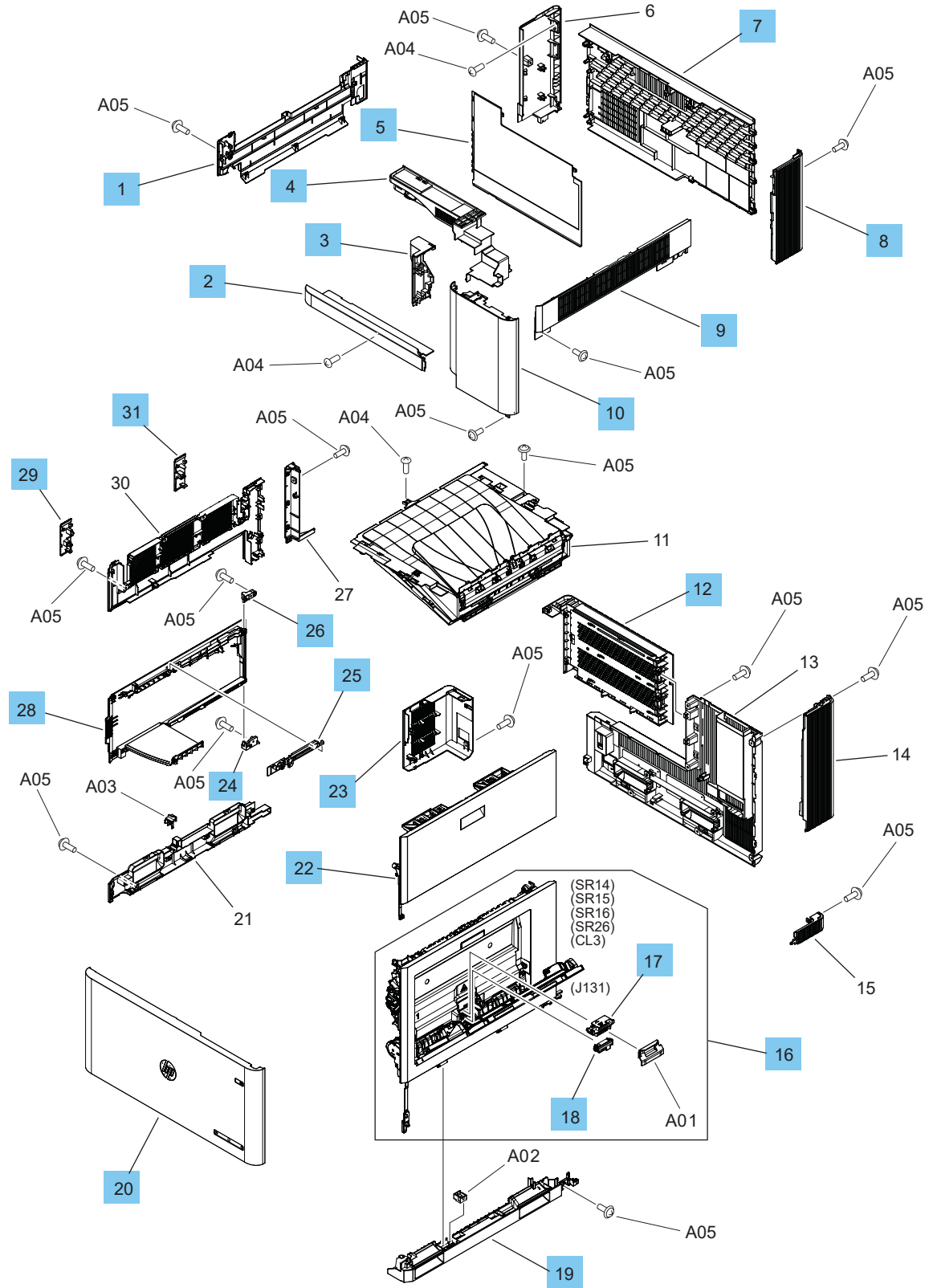


Table 2-27 Printer covers (M776zs)

Ref	Part number	Description	Qty
1	RC5-2734-000CN	Cover, paper delivery	1
2	RC5-2732-000CN	Cover, front	1
3	RC5-2728-000CN	Cover, paper delivery, front	1
4	RM2-1782-000CN	Rear delivery cover assembly	1
5	RC5-2731-000CN	Cover, main	1
7	RC5-2730-000CN	Cover, rear upper	1
8	RC5-2735-000CN	Cover, rear right, upper	1
9	RC5-2733-000CN	Cover, right upper	1
10	RM2-2661-000CN	Right front cover assembly	1
12	RM2-2683-000CN	Formatter cover assembly	1
16	RM2-3434-000CN	Right door assembly	1
17	RM2-1525-000CN	Tray 1 pickup roller	1
18	RM2-1525-000CN	Tray 1 separation roller	1
19	RM2-2660-000CN	Right handle assembly	1
20	RM2-1368-000CN	Front door assembly	1
22	RM2-1785-000CN	Right upper door assembly	1
23	RC5-2632-000CN	Cover, left rear	1
24	RC5-0801-000CN	Hinge, cover, left	1
25	RM2-1350-000CN	Left cover lock assembly	1
26	RC5-0770-000CN	Hinge, left door, upper	1
28	RM2-1351-000CN	Left door assembly	1
29	RC5-1805-000CN	Cover, left upper, F	1
31	RC5-1806-000CN	Cover, left upper, R	1

Parts and diagrams: Printer internal assemblies (M776zs; 1 of 9)

Parts diagram and parts list for the internal printer assemblies.

Figure 2-21 Printer internal assemblies (M776zs; 1 of 9)

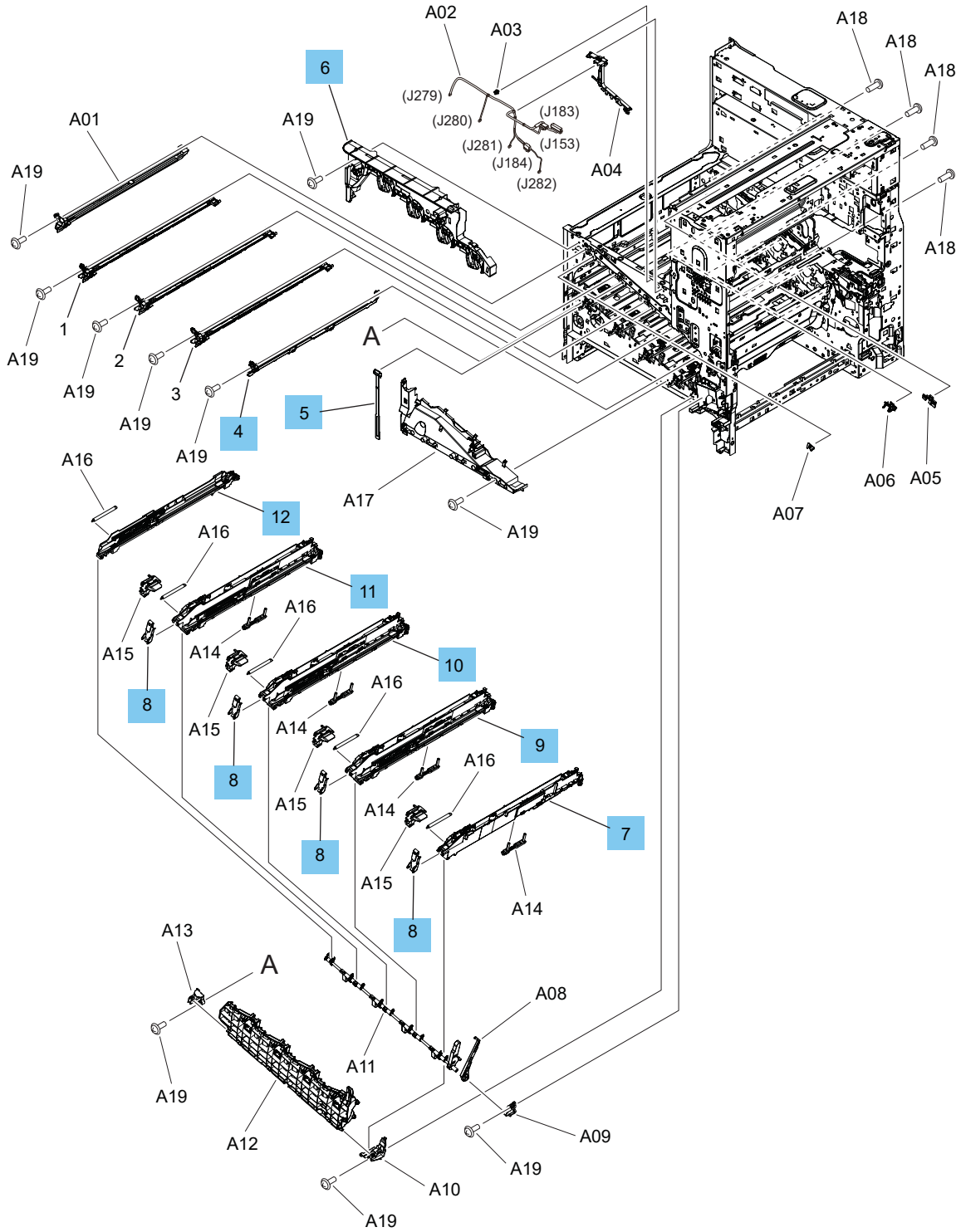


Table 2-28 Printer internal assemblies (M776zs; 1 of 9)

Ref	Part number	Description	Qty
4	RM2-1340-000CN	Black pre-exposure assembly	1
5	RC5-0722-000CN	Arm, front door, left	1
6	RM2-1343-000CN	Cartridge upper guide assembly	1
7	RM2-1356-000CN	Black cartridge rail assembly	1
8	RL2-2091-000CN	Guide, cartridge	4
9	RM2-2682-000CN	Third cartridge rail assembly	1
10	RM2-2480-000CN	Second cartridge rail assembly	1
11	RM2-2681-000CN	First cartridge rail assembly	1
12	RM2-2479-000CN	DT Cartridge rail assembly	1

Parts and diagrams: Printer internal assemblies (M776zs; 2 of 9)

Parts diagram and parts list for the internal printer assemblies.

Figure 2-22 Printer internal assemblies (M776zs; 2 of 9)

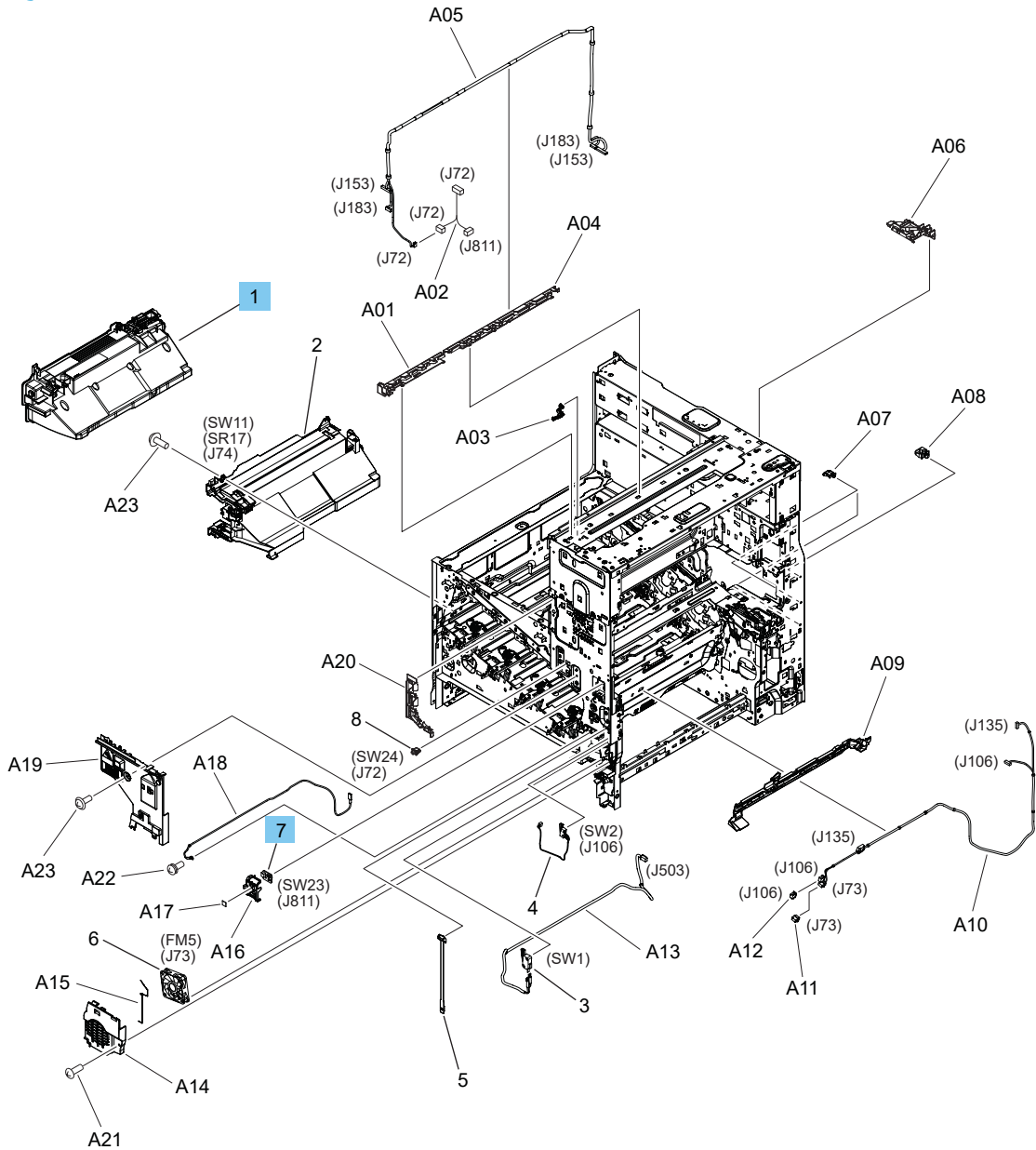


Table 2-29 Printer internal assemblies (M776zs; 2 of 9)

Ref	Part number	Description	Qty
1	3WT90-67901	Toner collection unit	1
7	RM2-9610-000CN	Power switch PCB assembly	1

Parts and diagrams: Printer internal assemblies (M776zs; 3 of 9)

Parts diagram and parts list for the internal printer assemblies.

Figure 2-23 Printer internal assemblies (M776zs; 3 of 9)

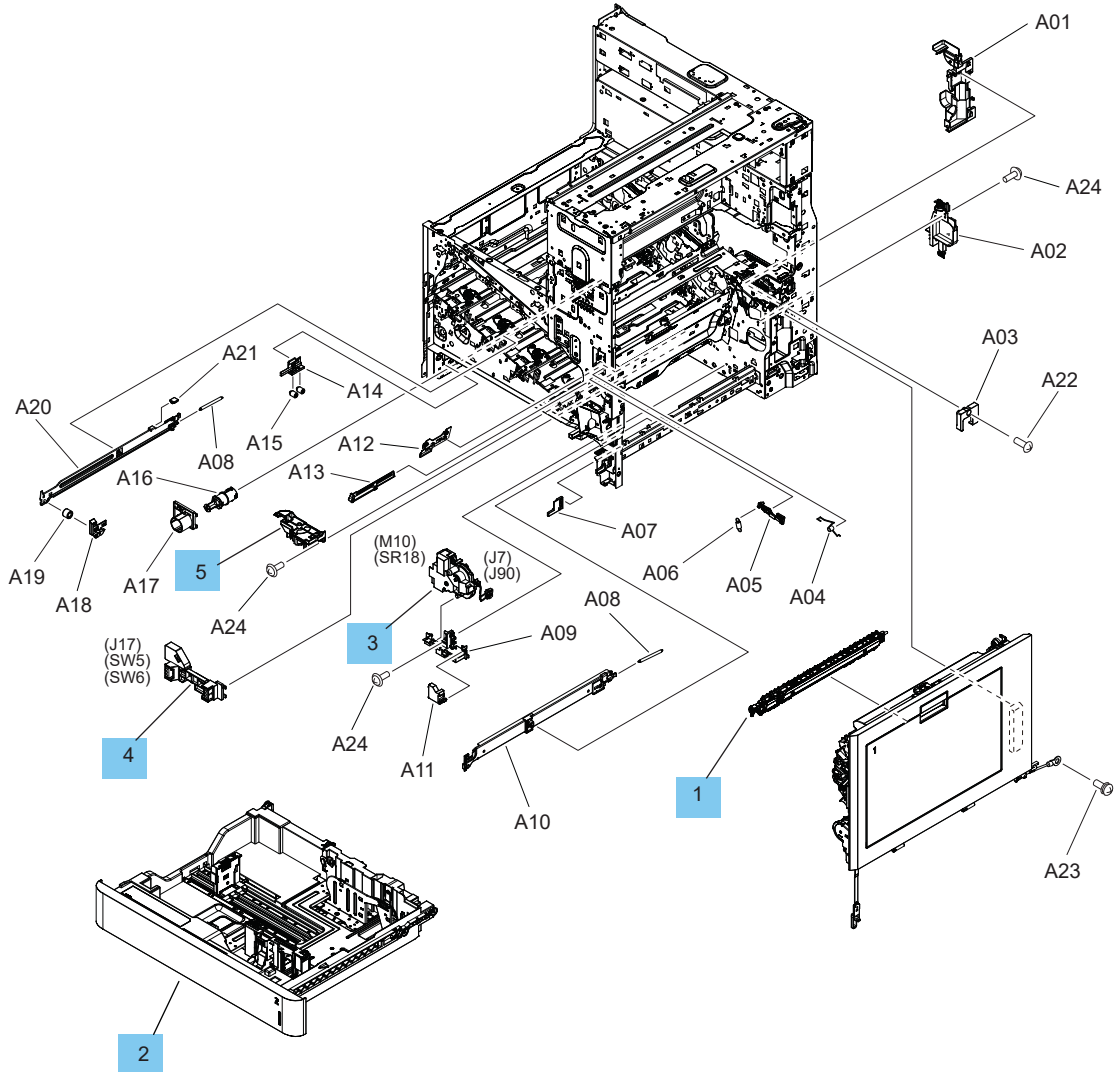


Table 2-30 Printer internal assemblies (M776zs; 3 of 9)

Ref	Part number	Description	Qty
1	RM2-1399-010CN	Second transfer, roller assembly	1
2	RM2-1394-000CN	Cassette Assembly	1
3	RM2-1604-000CN	Lifter drive assembly	1
4	RM2-1436-000CN	Size detect switch assembly	1
5	RM2-1605-000CN	Auto close assembly	1

Parts and diagrams: Printer internal assemblies (M776zs; 4 of 9)

Parts diagram and parts list for the internal printer assemblies.

Figure 2-24 Printer internal assemblies (M776zs; 4 of 9)

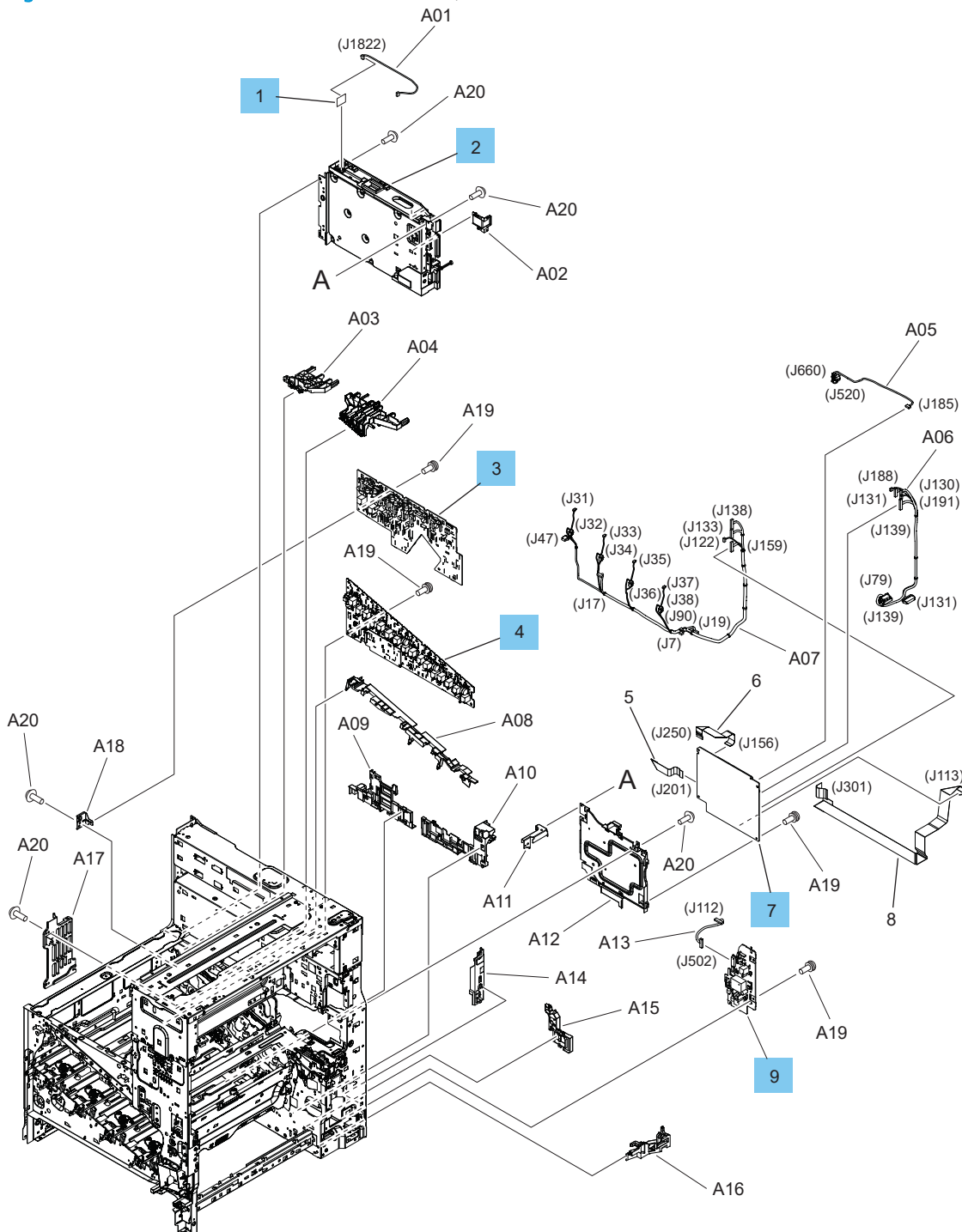


Table 2-31 Printer internal assemblies (M776zs; 4 of 9)

Ref	Part number	Description	Qty
1	RM3-7351-000CN	Memory PCB assembly	1
2	RM2-2476-000CN	Formatter case assembly	1
3	RM2-9601-000CN	Upper high voltage power supply PCB assembly	1
4	RM2-9624-000CN	Lower high voltage power supply PCB assembly	1
7	RM2-9931-000CN	DC controller PCB assembly	1
9	RM2-9623-000CN	Second transfer H.V.T. PCB assembly	1
Not shown	5851-7913	Formatter PCA (M776) (sPAB - SFP)	1
Not shown	5851-7914	Formatter PCA (M776) (sPAB - SFP; India/China)	1
Not shown	0960-3659	Wireless PCA board	1

Parts and diagrams: Printer internal assemblies (M776zs; 5 of 9)

Parts diagram and parts list for the internal printer assemblies.

Figure 2-25 Printer internal assemblies (M776zs; 5 of 9)

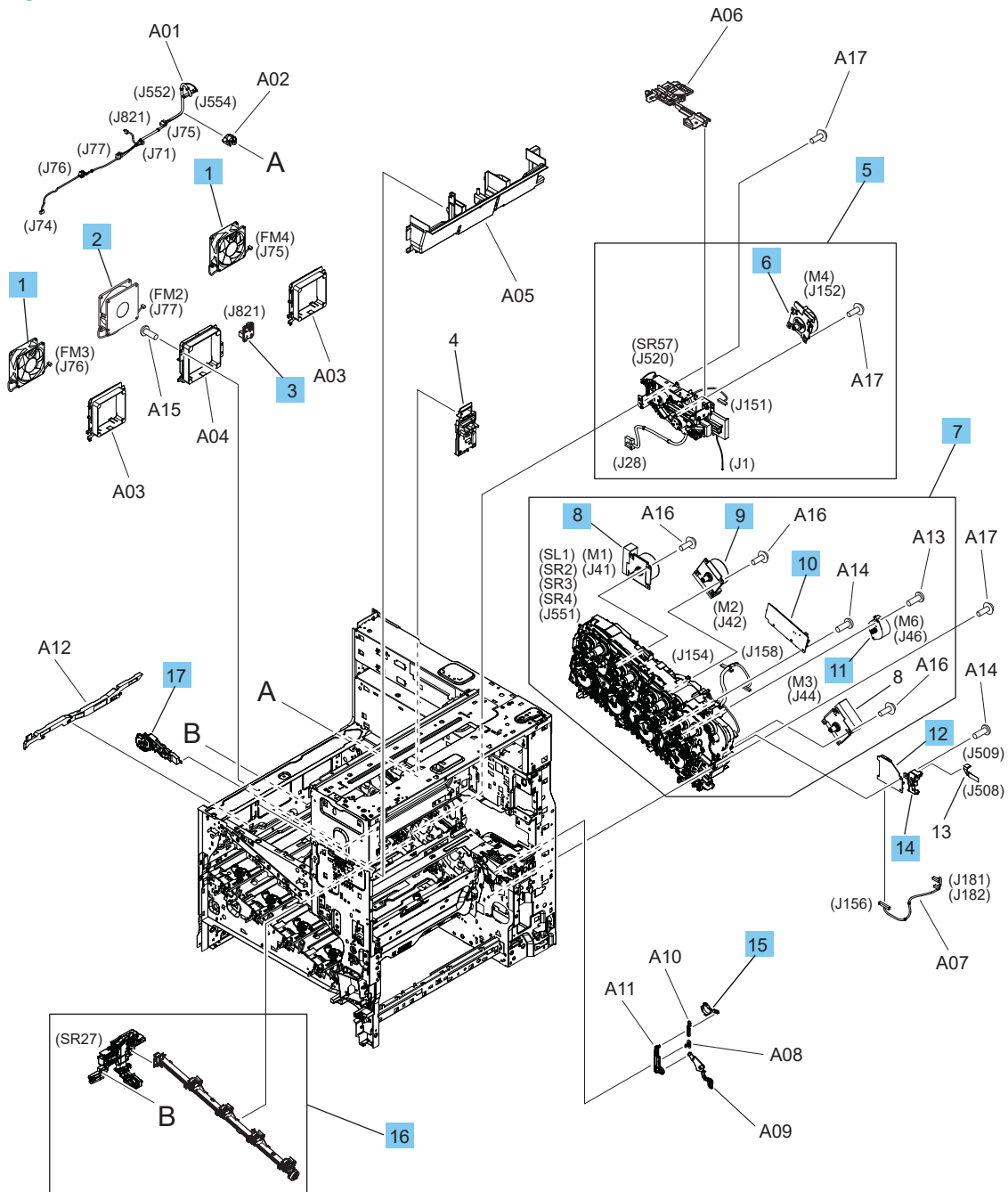


Table 2-32 Printer internal assemblies (M776zs; 5 of 9)

Ref	Part number	Description	Qty
1	RK2-2276-000CN	Fan	2
2	RK2-9148-000CN	Fan	1
3	RM2-9620-000CN	Environment sensor PCB assembly	1
5	RM2-1391-000CN	Fuser drive assembly	1
6	RM2-1456-000CN	Fuser motor assembly	1
7	RM2-1614-000CN	Main drive assembly	1
8	RM2-1612-000CN	Main motor assembly	2
9	RM2-1613-000CN	Main motor assembly	1
10	RM2-9618-000CN	Main connecting PCB assembly	1
11	RK2-6027-000CN	Motor, stepping	1
12	RM2-9622-000CN	Connecting PCB assembly	1
14	RC5-1656-000CN	Guide, PCB cable	1
15	RC5-1055-000CN	Cam, coupling estrangement	1
16	RM2-1520-000CN	Waste toner auger service kit	1
17	RM2-1364-000CN	Waste toner gear base assembly	1

Parts and diagrams: Printer internal assemblies (M776zs; 6 of 9)

Parts diagram and parts list for the internal printer assemblies.

Figure 2-26 Printer internal assemblies (M776zs; 6 of 9)

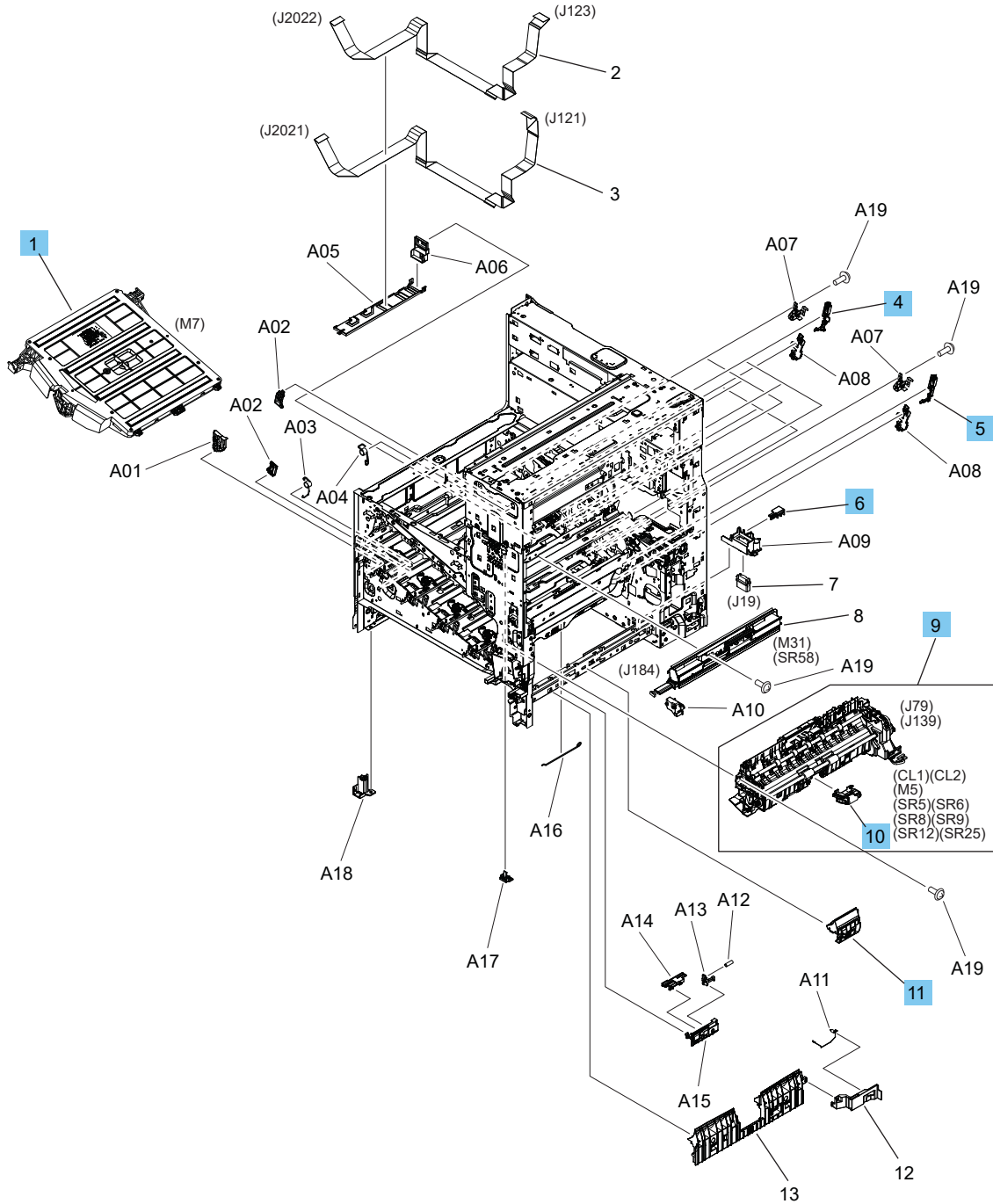


Table 2-33 Printer internal assemblies (M776zs; 6 of 9)

Ref	Part number	Description	Qty
1	RM2-1328-020CN	Laser scanner assembly	1
4	RM2-1366-000CN	Waste toner feed link assembly	3
5	RM2-1367-000CN	Waste toner feed link assembly	1
6	RC5-1681-000CN	Spacer, drawer holder	1
9	RM2-3908-000CN	Paper pickup assembly	1
10	RM2-1526-000CN	Paper pickup roller assembly	1
11	RM2-1526-000CN	Separation roller holder assembly	1

Parts and diagrams: Printer internal assemblies (M776zs; 7 of 9)

Parts diagram and parts list for the internal printer assemblies.

Figure 2-27 Printer internal assemblies (M776zs; 7 of 9)

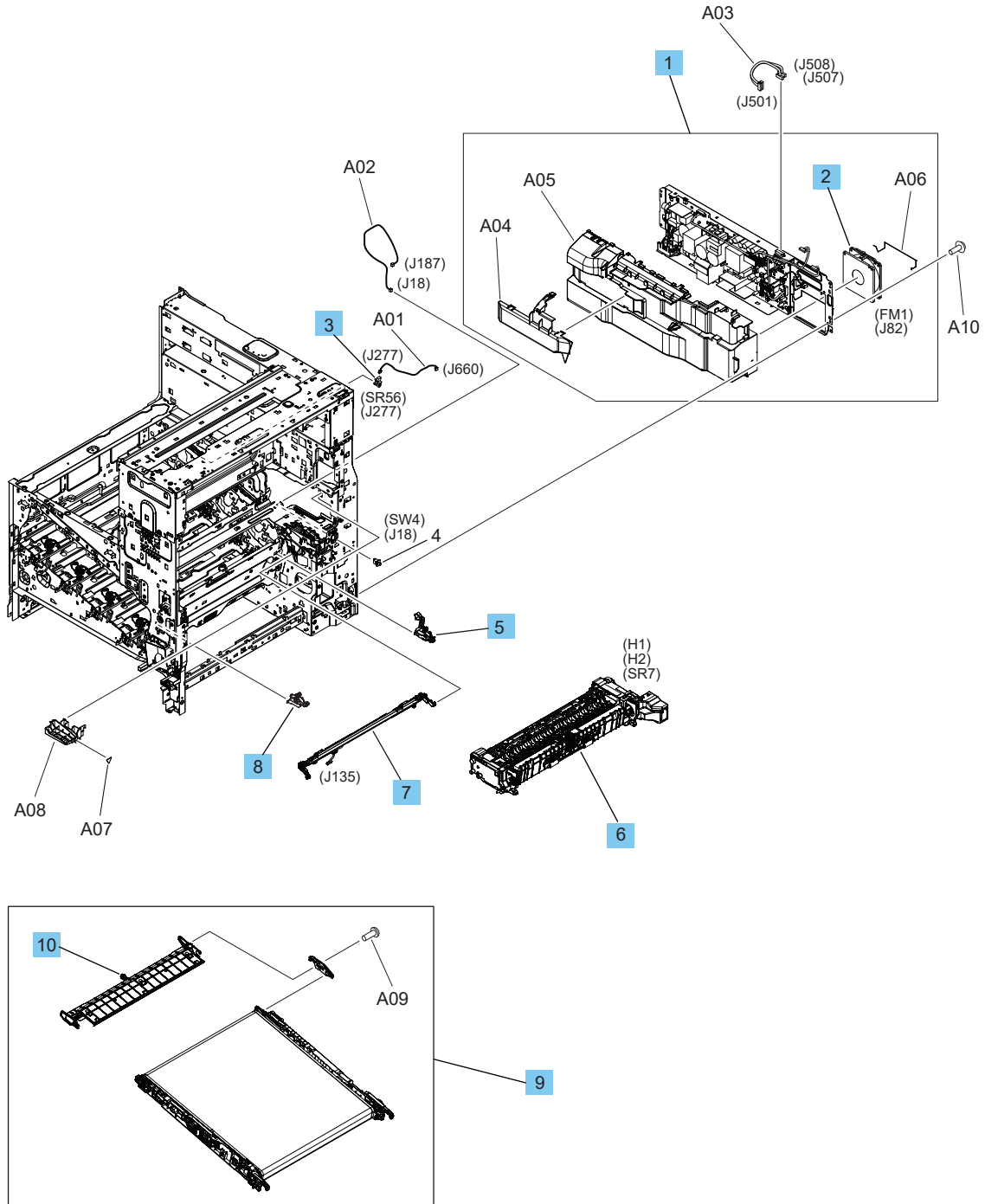


Table 2-34 Printer internal assemblies (M776zs; 7 of 9)

Ref	Part number	Description	Qty
1	RM2-2473-000CN	Low voltage power supply assembly	1
1	RM2-2474-000CN	Low voltage power supply assembly	1
2	RK2-9148-000CN	Fan	1
3	WG8-5935-000CN	IC, photointerrupter	1
5	RM2-1390-000CN	RD pressure link assembly, rear	1
6	4YL16-67901	Fuser kit (110V)	1
6	4YL17-67901	Fuser kit (220V)	1
7	RM2-1501-000CN	Registration density sensor assembly	1
8	RM2-1389-000CN	RD pressure link assembly, front	1
9	RM2-1504-000CN	Intermediate transfer belt assembly	1
10	RM2-1490-000CN	Transfer cleaner assembly	1

Parts and diagrams: Printer internal assemblies (M776zs; 8 of 9)

Parts diagram and parts list for the internal printer assemblies.

Figure 2-28 Printer internal assemblies (M776zs; 8 of 9)

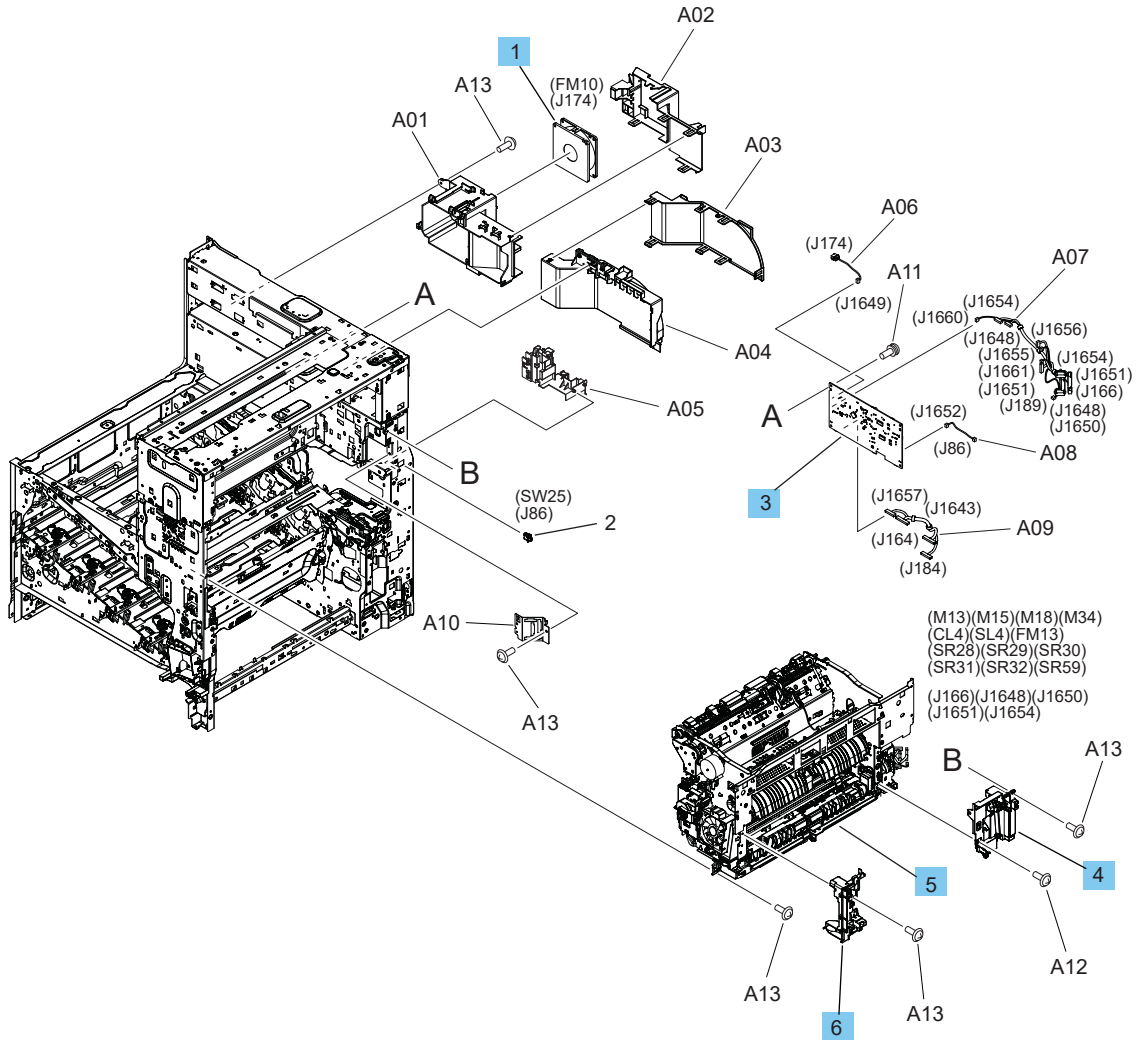


Table 2-35 Printer internal assemblies (M776zs; 8 of 9)

Ref	Part number	Description	Qty
1	RK2-9148-000CN	Fan	1
3	RM3-7380-000CN	Duplexing controller PCB assembly	1
4	RM2-1763-000CN	Toggle rear assembly	1
5	RM2-1786-000CN	Paper delivery assembly	1
6	RM2-1764-000CN	Toggle front assembly	1

Parts and diagrams: Printer internal assemblies (M776zs; 9 of 9)

Parts diagram and parts list for the internal printer assemblies.

Figure 2-29 Printer internal assemblies (M776zs; 9 of 9)

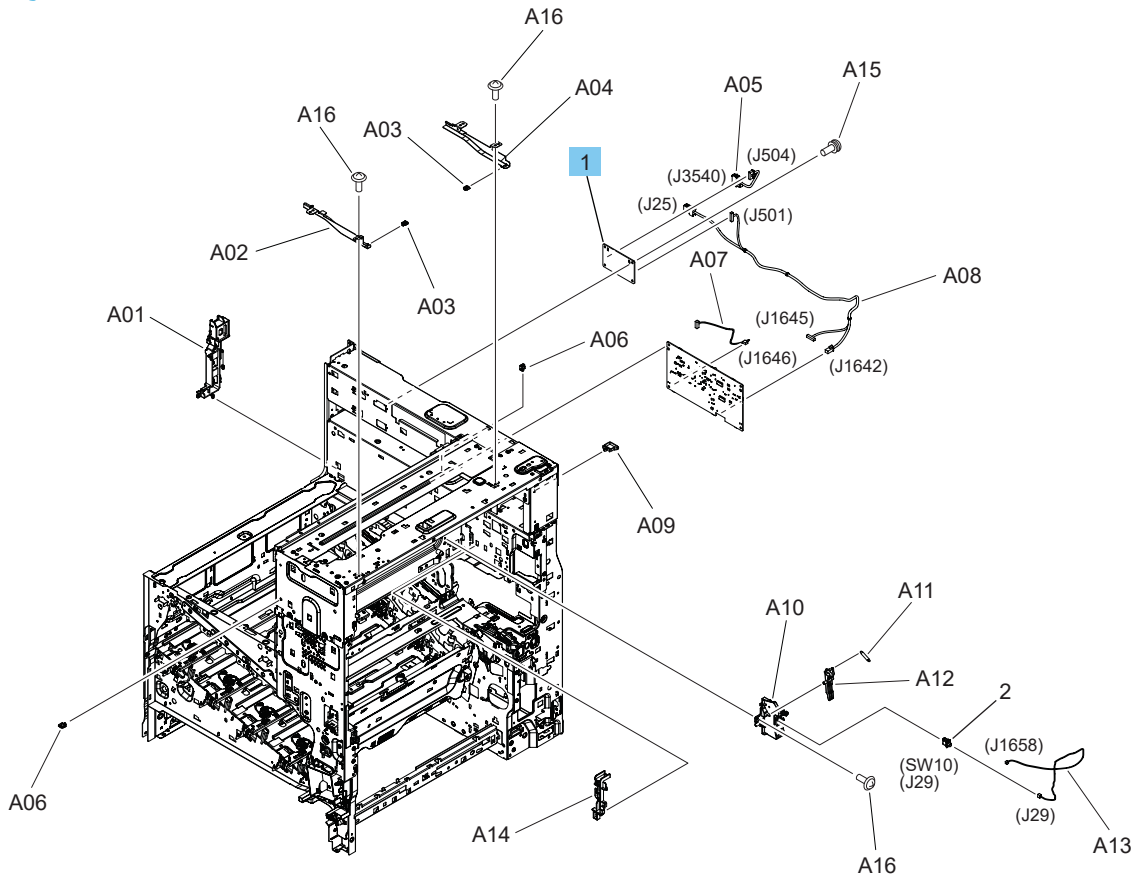


Table 2-36 Printer internal assemblies (M776zs; 9 of 9)

Ref	Part number	Description	Qty
1	RM3-7341-000CN	Communication PCB Assembly	1

Parts and diagrams: Inner finisher components

View parts diagrams and parts lists for the inner finisher components.

- [Parts and diagrams: Printer covers \(Inner finisher\)](#)
- [Parts and diagrams: Printer internal assemblies \(inner finisher; 1 of 3\)](#)
- [Parts and diagrams: Printer internal assemblies \(inner finisher; 2 of 3\)](#)
- [Parts and diagrams: Printer internal assemblies \(inner finisher; 3 of 3\)](#)

Parts and diagrams: Printer covers (Inner finisher)

Parts diagram and parts list for the inner finisher.

Figure 2-30 Inner finisher covers

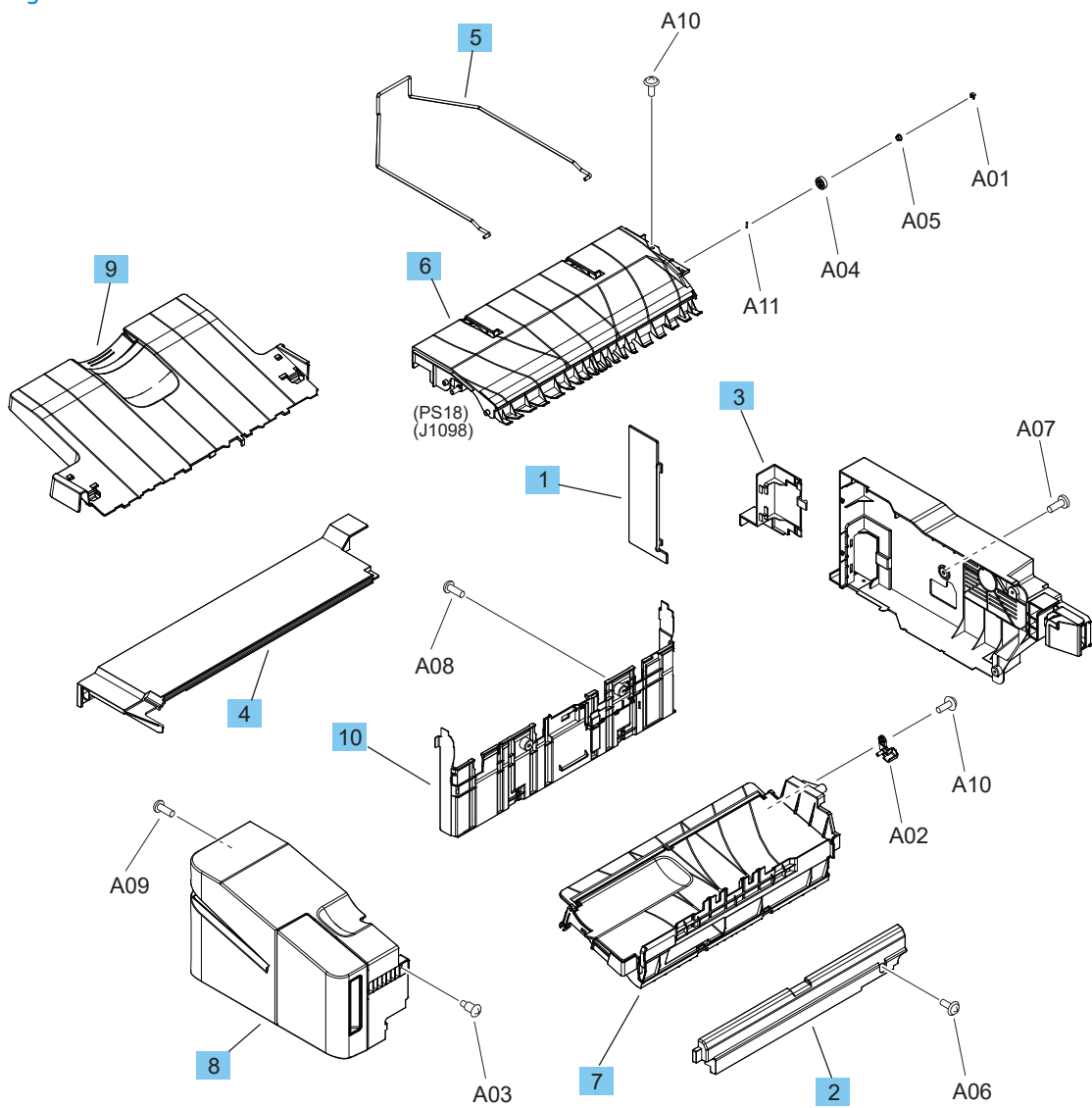


Table 2-37 Inner finisher covers

Ref	Part number	Description	Qty
All	T3U55-67901	Complete inner finisher	1
1	RC5-4834-000CN	Cover, rear, small	1
2	RC5-4840-000CN	Cover, latch	1
3	RC5-4842-000CN	Cap, cover, rear	1
4	RC5-4887-000CN	Cover, rail	1
5	RC5-4905-000CN	Tray, wire sub	1
6	RM2-2432-000CN	Paper feed guide assembly, upper	1
7	RM2-2434-000CN	Entrance guide assembly, upper	1
8	RM2-2438-000CN	Front cover assembly	1
9	RM2-2450-000CN	Stack tray assembly	1
10	RM2-2452-000CN	Height wall assembly	1

Parts and diagrams: Printer internal assemblies (inner finisher; 1 of 3)

Parts diagram and parts list for the inner finisher.

Figure 2-31 Inner finisher internal assemblies (1 of 3)

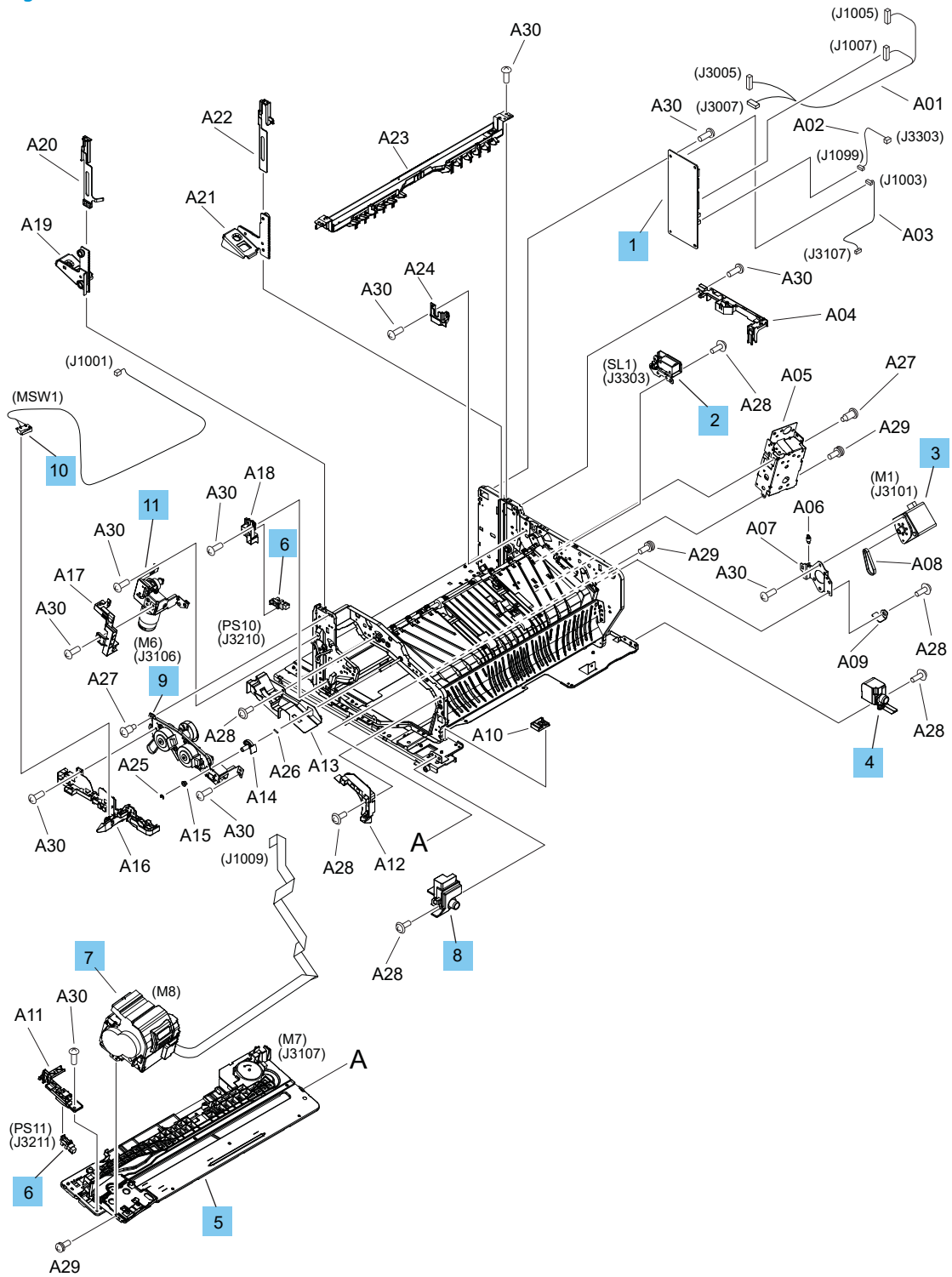


Table 2-38 Inner finisher internal assemblies (1 of 3)

Ref	Part number	Description	Qty
All	T3U55-67901	Complete inner finisher	1
1	RM3-7323-000CN	Staple stacker PCB assembly	1
2	FM1-F201-000CN	Estrangement solenoid assembly	1
3	FK4-2060-000CN	Motor stepping	1
4	RM2-2526-000CN	Push assembly, rear	1
5	FM1-D645-000CN	Staple mount assembly	1
6	WG8-5783-000CN	IC, photo-interrupter, LG248NL1A	2
7	RM2-2453-000CN	Staple assembly	1
8	RM2-2460-000CN	Push assembly, front	1
9	FM1-C426-000CN	Paddle drive assembly	1
10	FM1-E959-000CN	Cable, interlock	1
11	FM1-C439-000CN	Height tray motor assembly	1

Parts and diagrams: Printer internal assemblies (inner finisher; 2 of 3)

Parts diagram and parts list for the inner finisher.

Figure 2-32 Inner finisher internal assemblies (2 of 3)

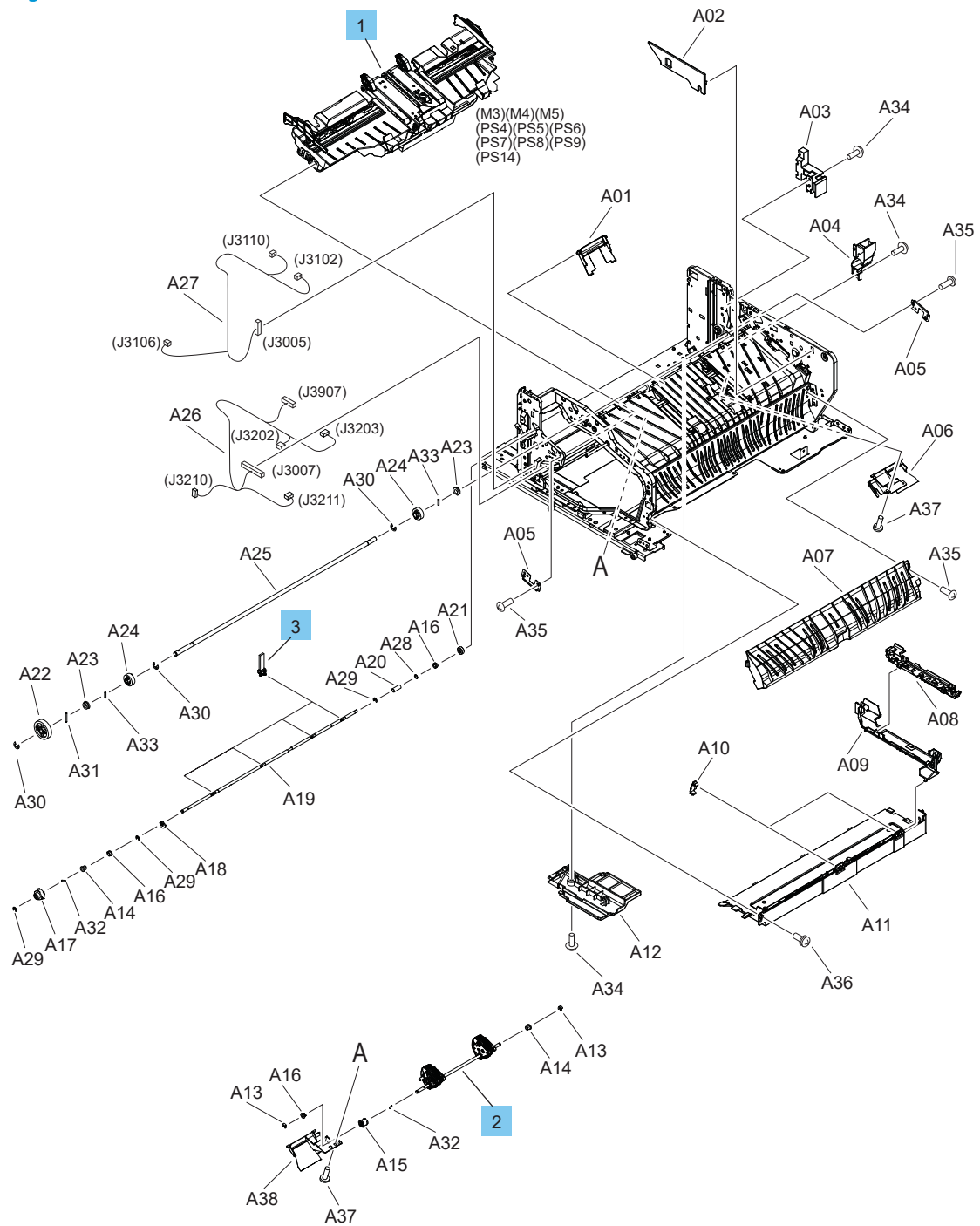


Table 2-39 Inner finisher internal assemblies (2 of 3)

Ref	Part number	Description	Qty
All	T3U55-67901	Complete inner finisher	1
1	RM2-2458-000CN	Processing tray assembly	1
2	FM1-H670-000CN	Return belt unit	1
3	FM1-C422-000CN	Paddle unit	4

Parts and diagrams: Printer internal assemblies (inner finisher; 3 of 3)

Parts diagram and parts list for the inner finisher.

Figure 2-33 Inner finisher internal assemblies (3 of 3)

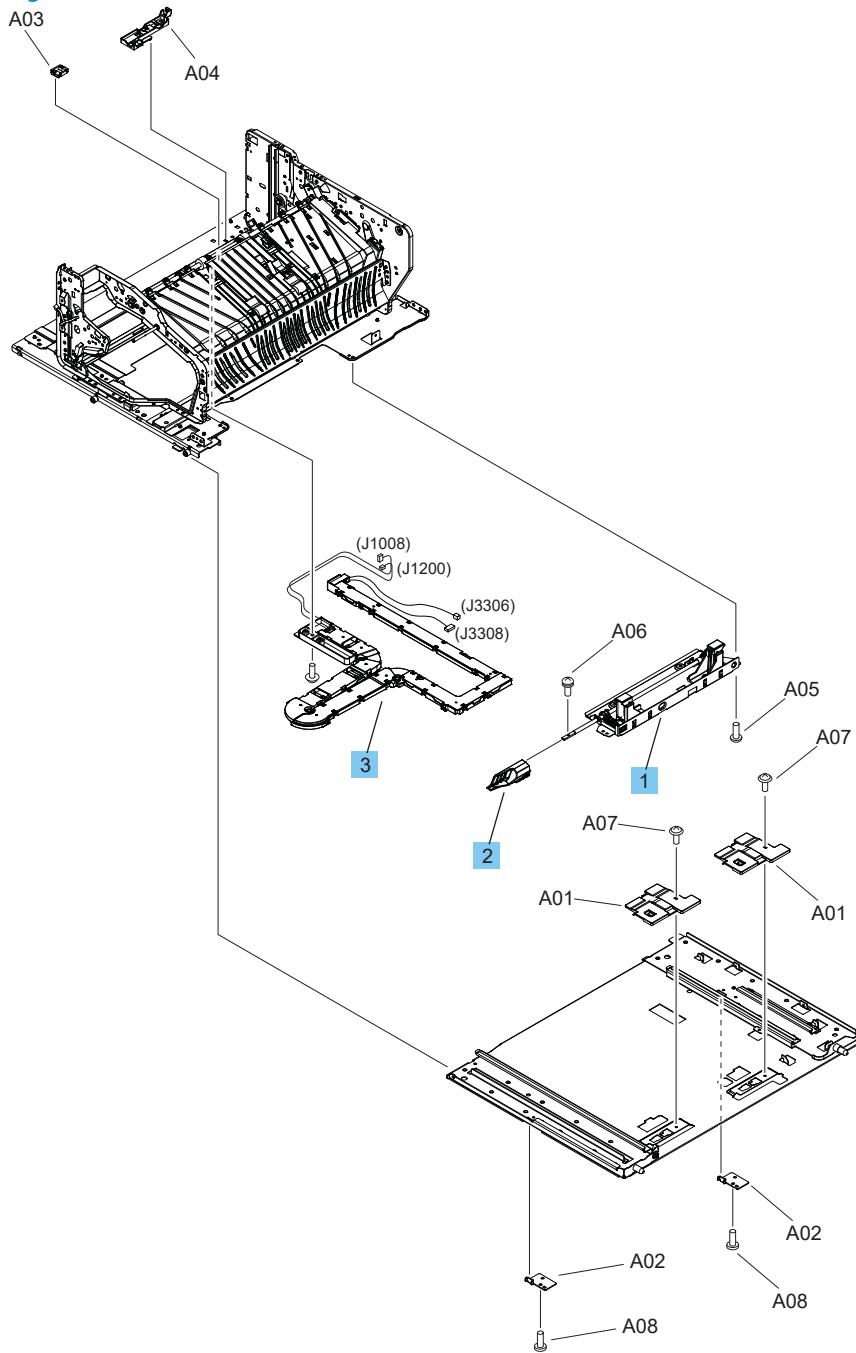


Table 2-40 Inner finisher internal assemblies (3 of 3)

Ref	Part number	Description	Qty
All	T3U55-67901	Complete inner finisher	1
1	RM2-2442-000CN	Latch assembly	1
2	RC5-4839-000CN	Handle, release	1
3	RM2-2444-000CN	Cable duct assembly	1

Parts and diagrams: 550-sheet tray components

View parts diagrams and parts lists for the 550-sheet tray components.

- [Parts and diagrams: 550-sheet tray covers](#)
- [Parts and diagrams: 550-sheet paper tray internal assemblies](#)

Parts and diagrams: 550-sheet tray covers

Parts diagram and parts list for the 550-sheet tray covers.

Figure 2-34 550-sheet tray covers

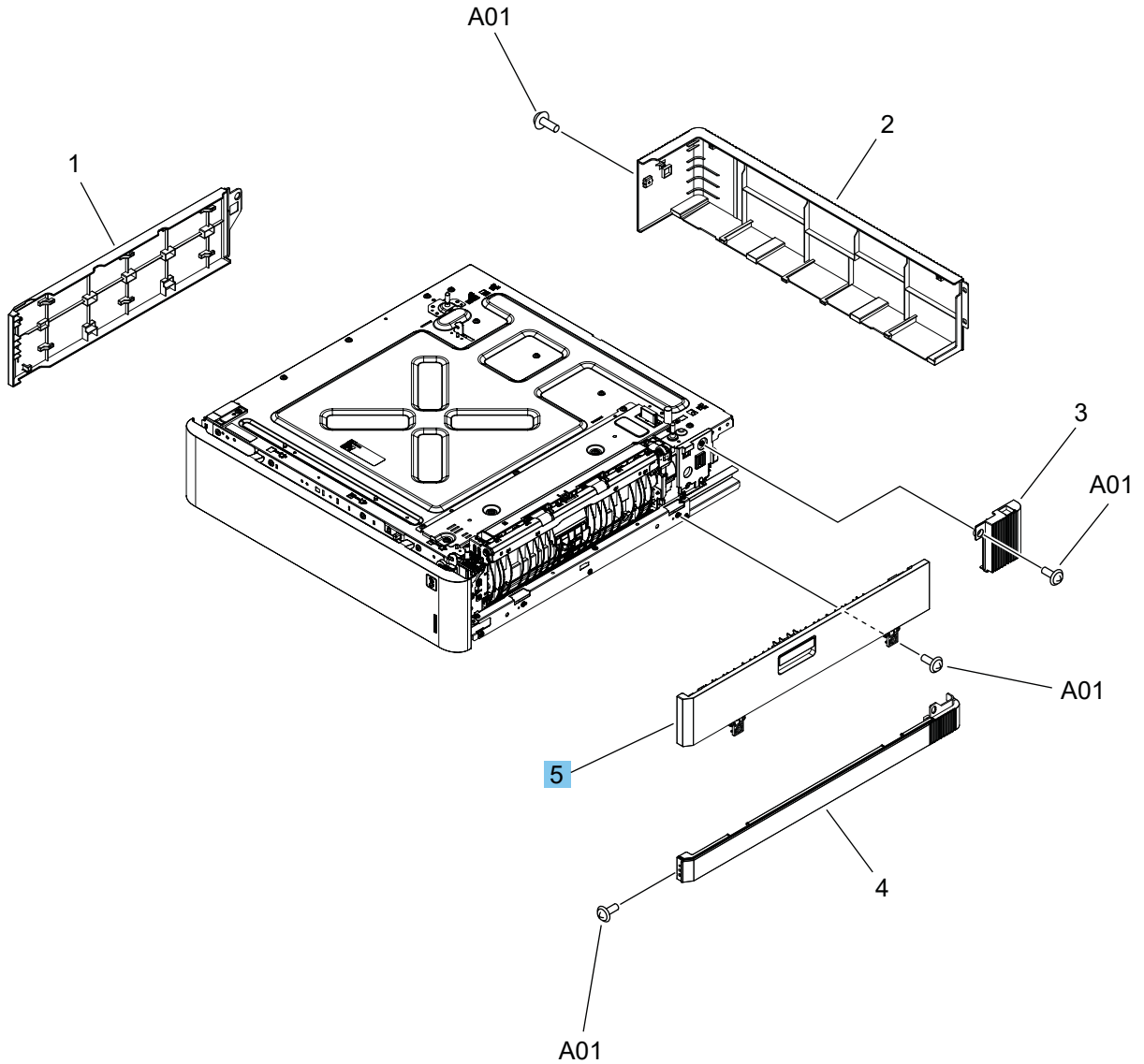


Table 2-41 550-sheet tray covers

Ref	Part number	Description	Qty
5	RM2-1716-000CN	Right door assembly	1

Parts and diagrams: 550-sheet paper tray internal assemblies

Parts diagram and parts list for the 550-sheet paper tray internal assemblies.

Figure 2-35 550-sheet paper tray internal assemblies

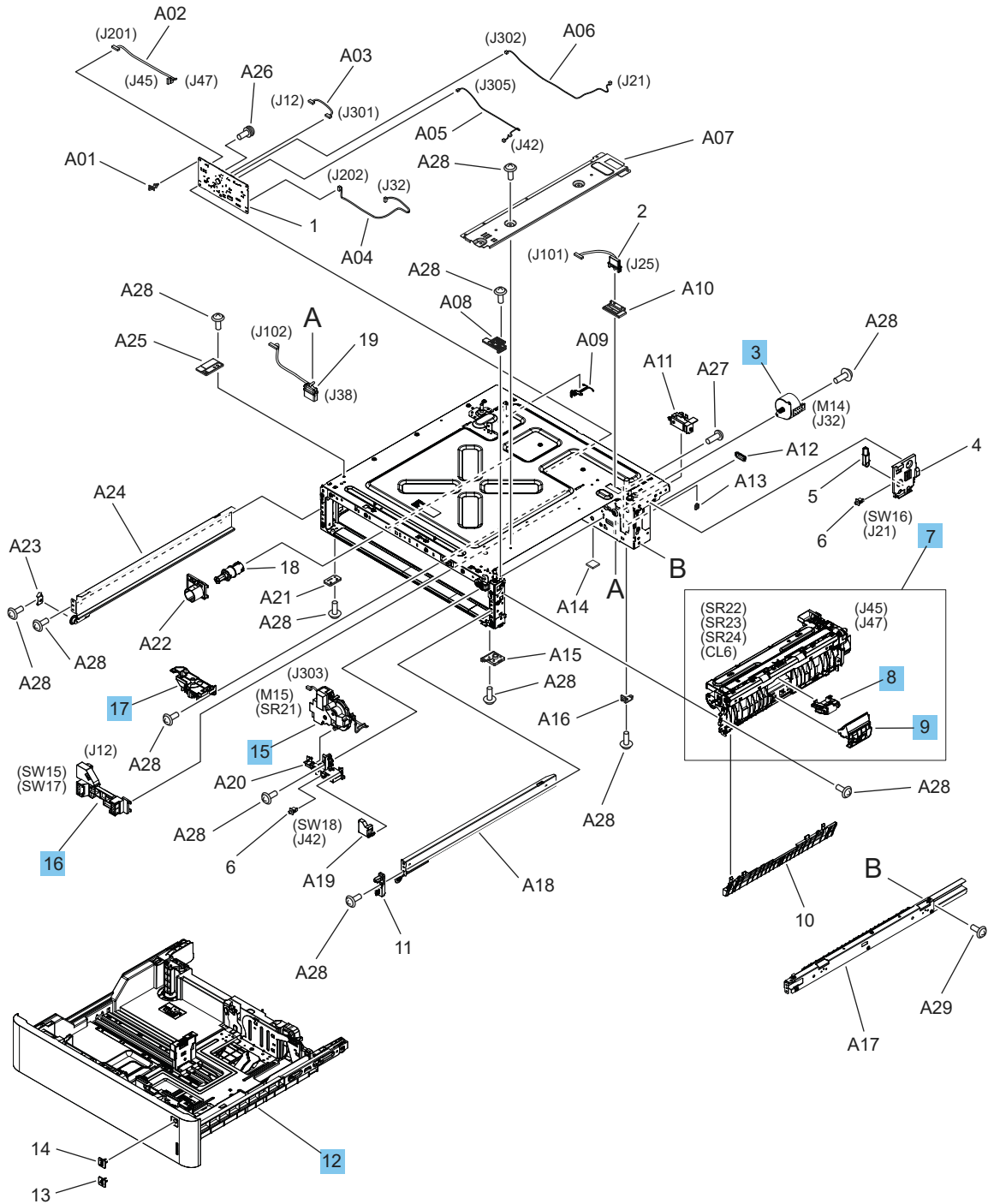


Table 2-42 550-sheet paper tray internal assemblies

Ref	Part number	Description	Qty
3	RK2-9410-000CN	Motor, stepping, DC	1
7	RM2-1717-000CN	Paper pickup assembly	1
8	RM2-1526-000CN	Paper pickup roller assembly	1
9	RM2-1526-000CN	Separation roller holder assembly	1
12	RM2-1706-000CN	Cassette assembly	1
15	RM2-1703-000CN	Lifter drive assembly	1
16	RM2-1711-000CN	Size detect switch assembly	1
17	RM2-1760-000CN	Auto-close assembly	1

Parts and diagrams: 2x550-sheet tray components

View parts diagrams and parts lists for the 2x550-sheet tray components.

- [Parts and diagrams: 2x550-sheet tray covers](#)
- [Parts and diagrams: 2x550-sheet paper tray internal assemblies \(1 of 2\)](#)
- [Parts and diagrams: 2x550-sheet paper tray internal assemblies \(2 of 2\)](#)

Parts and diagrams: 2x550-sheet tray covers

Parts diagram and parts list for the 2x550-sheet tray covers.

Figure 2-36 2x550-sheet tray covers

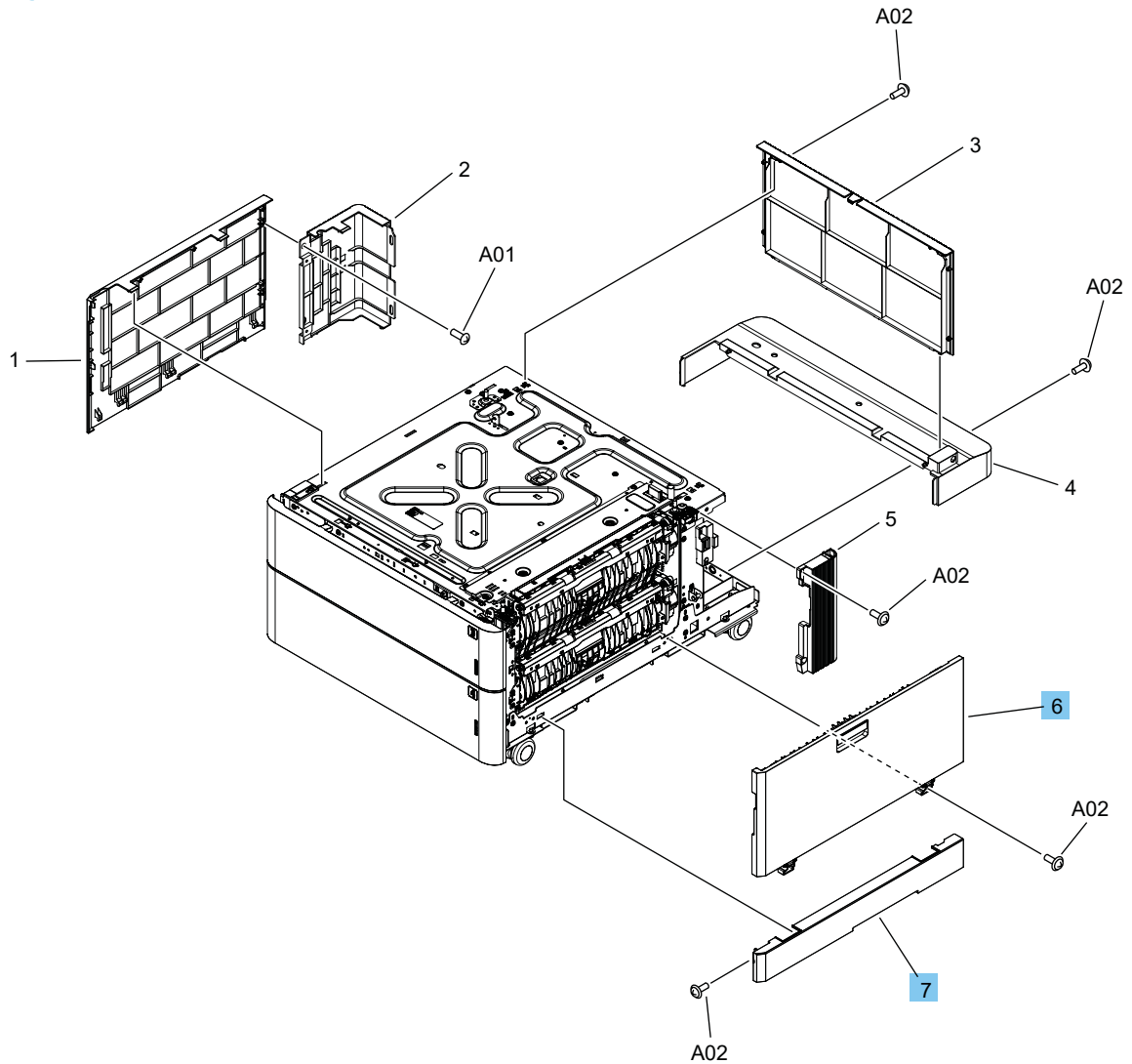


Table 2-43 2x550-sheet tray covers

Ref	Part number	Description	Qty
6	RM2-1729-000CN	Right door assembly	1
7	RC5-2064-000CN	Cover, right, lower	1

Parts and diagrams: 2x550-sheet paper tray internal assemblies (1 of 2)

Parts diagram and parts list for the 2x550-sheet paper tray internal assemblies.

Figure 2-37 2x550-sheet paper tray internal assemblies (1 of 2)

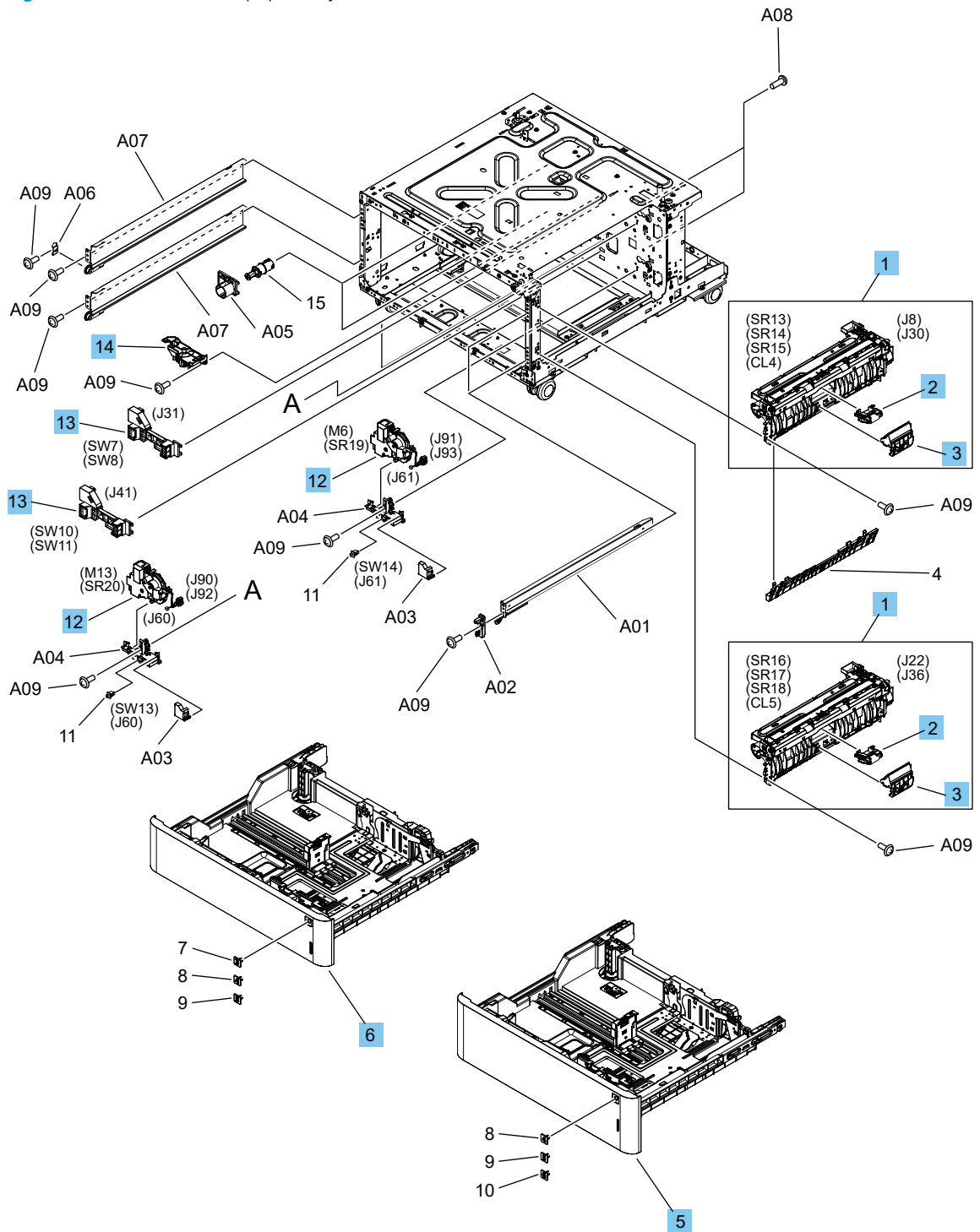


Table 2-44 2x550-sheet paper tray internal assemblies (1 of 2)

Ref	Part number	Description	Qty
1	RM2-1717-000CN	Paper pickup assembly	2
2	RM2-1526-000CN	Paper pickup roller assembly	2
3	RM2-1526-000CN	Separation roller holder assembly	2
5	RM2-1720-000CN	Cassette assembly	1
6	RM2-1706-000CN	Cassette assembly	1
12	RM2-1704-000CN	Lifter drive assembly	2
13	RM2-1711-000CN	Size detect switch assembly	2
14	RM2-1760-000CN	Auto-close assembly	2

Parts and diagrams: 2x550-sheet paper tray internal assemblies (2 of 2)

Parts diagram and parts list for the 2x550-sheet paper tray internal assemblies.

Figure 2-38 2x550-sheet paper tray internal assemblies (2 of 2)

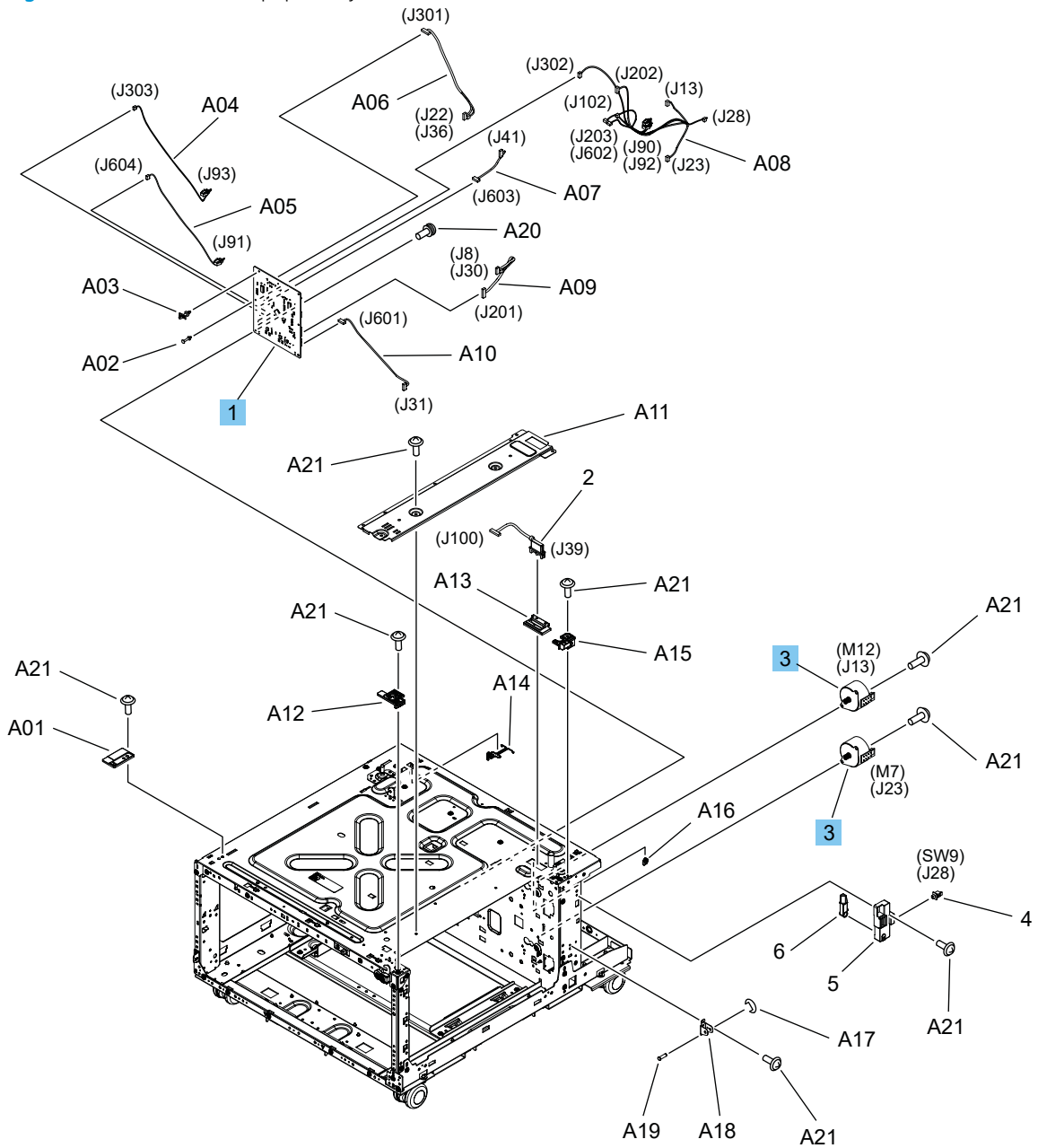


Table 2-45 2x550-sheet paper tray internal assemblies (2 of 2)

Ref	Part number	Description	Qty
1	RM2-9885-000CN	Paper deck controller PCB assembly	1
3	RK2-9410-000CN	Motor, stepping, DC	2

Parts and diagrams: High-capacity input (HCI) tray components

View parts diagrams and parts lists for the HCI tray components.

- [Parts and diagrams: High-capacity input \(HCI\) tray covers](#)
- [Parts and diagrams: High-capacity input \(HCI\) tray internal assemblies \(1 of 2\)](#)
- [Parts and diagrams: High-capacity input \(HCI\) tray internal assemblies \(2 of 2\)](#)

Parts and diagrams: High-capacity input (HCI) tray covers

Parts diagram and parts list for the HCI tray covers.

Figure 2-39 HCI tray covers

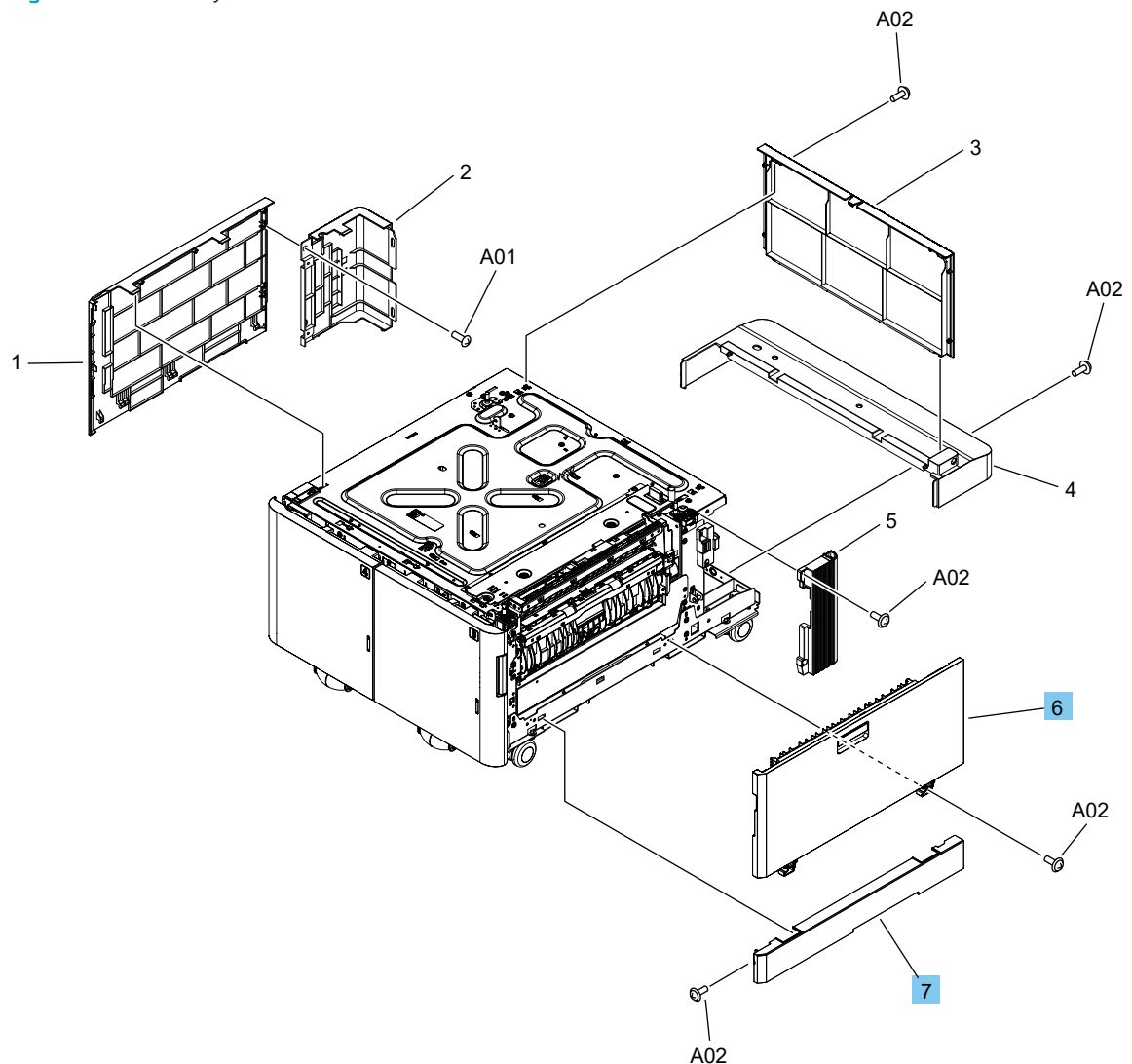


Table 2-46 HCl tray covers

Ref	Part number	Description	Qty
6	RM2-1740-000CN	Right door assembly	1
7	RC5-2064-000CN	Cover, right, lower	1

Parts and diagrams: High-capacity input (HCI) tray internal assemblies (1 of 2)

Parts diagram and parts list for the HCI tray internal assemblies.

Figure 2-40 HCI tray internal assemblies (1 of 2)

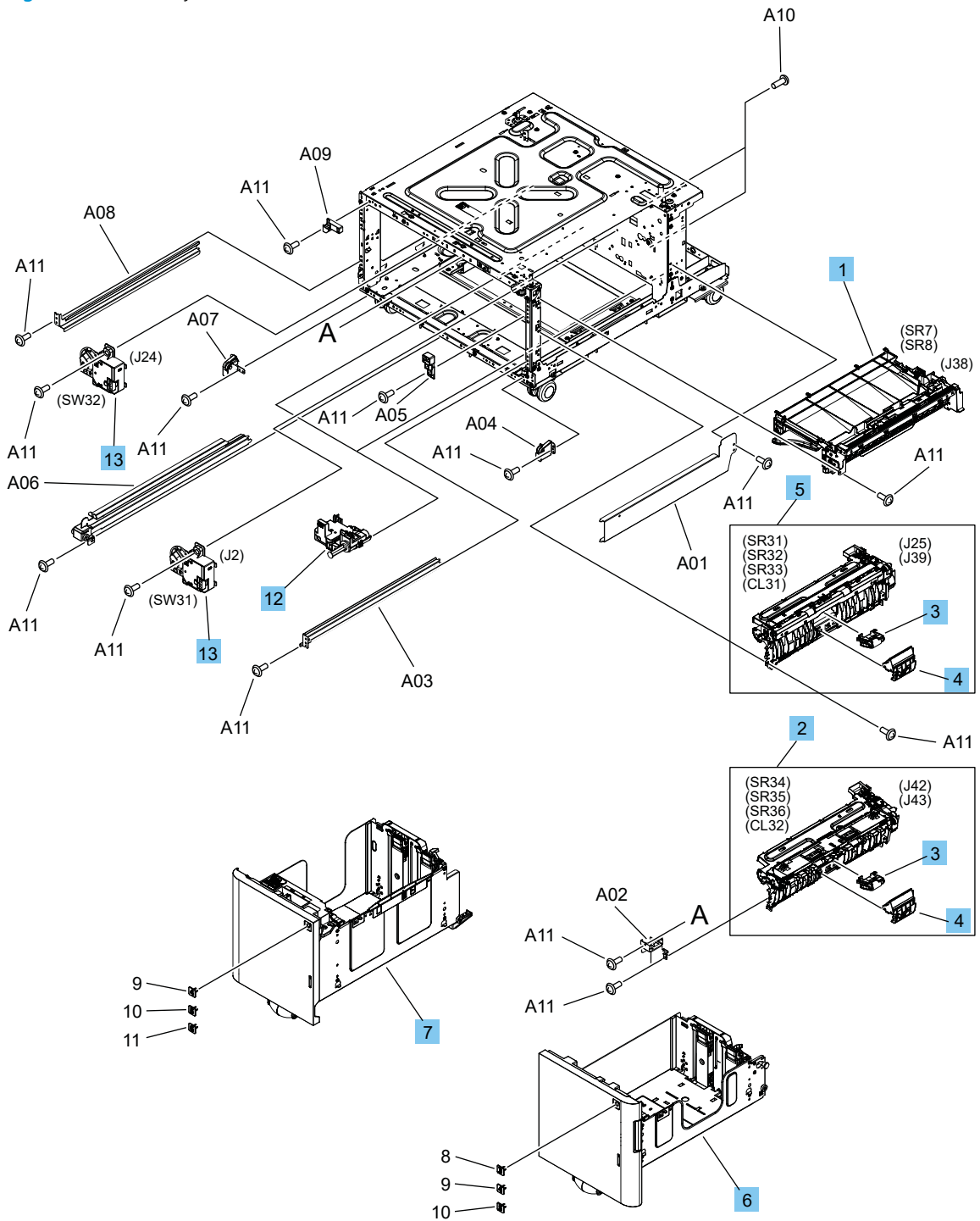


Table 2-47 HCI tray internal assemblies (1 of 2)

Ref	Part number	Description	Qty
1	RM2-1730-000CN	Paper feed assembly	1
2	RM2-1741-000CN	Paper pickup assembly	1
3	RM2-1526-000CN	Paper pickup roller assembly	2
4	RM2-1526-000CN	Separation roller holder assembly	2
5	RM2-1717-000CN	Paper pickup assembly	1
6	RM2-1748-000CN	Right tray assembly	1
7	RM2-1743-000CN	Left tray assembly	1
12	RM2-1734-000CN	Auto-close assembly	2
13	RM2-1736-000CN	Lifter drive assembly	2

Parts and diagrams: High-capacity input (HCI) tray internal assemblies (2 of 2)

Parts diagram and parts list for the HCI tray internal assemblies.

Figure 2-41 HCI tray internal assemblies (2 of 2)

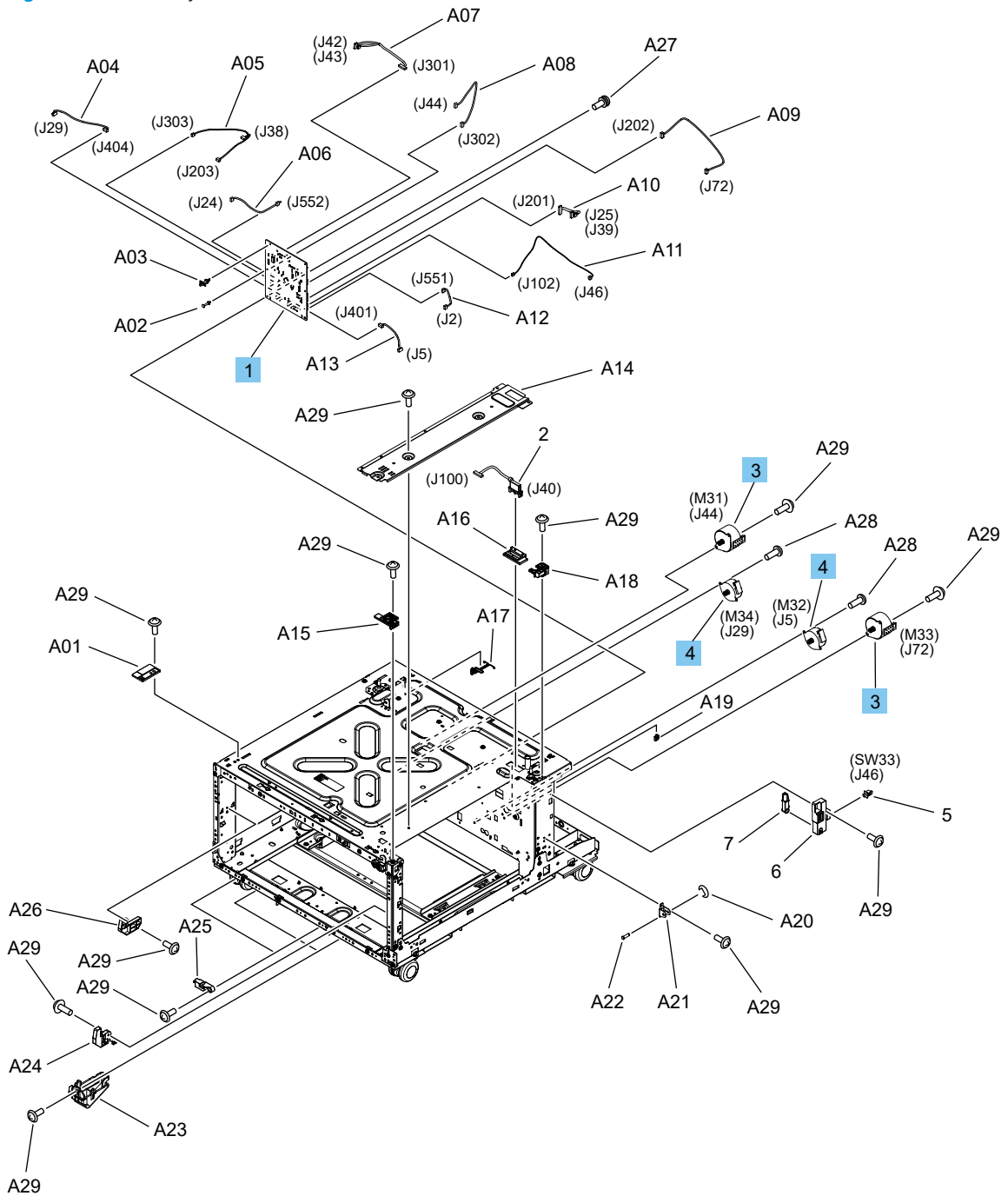


Table 2-48 HCI tray internal assemblies (2 of 2)

Ref	Part number	Description	Qty
1	RM2-9887-000CN	Paper deck controller PCB assembly	1
3	RK2-9410-000CN	Motor, stepping, DC	2
4	RK2-7818-000CN	Motor, stepping, DC	2

Alphabetical parts list

Table 2-49 Alphabetical parts list

Description	Part number	Table and page
	0960-3659	Printer internal assemblies (M856/E85055, M776dn/M776z; 4 of 8) on page 2151
	0960-3659	Printer internal assemblies (M776zs; 4 of 9) on page 2171
ADF hinges kit	J7Z09-67931	Document feeder and image scanner (M776) on page 2119
ADF whole unit enterprise	5851-7930	Document feeder and image scanner (M776) on page 2119
ADF whole unit work flow	5851-7931	Document feeder and image scanner (M776) on page 2119
Arm, front door, left	RC5-0722-000CN	Printer internal assemblies (M751/E75245; 1 of 7) on page 2125
Arm, front door, left	RC5-0722-000CN	Printer internal assemblies (M856/E85055, M776dn/M776z; 1 of 8) on page 2145
Arm, front door, left	RC5-0722-000CN	Printer internal assemblies (M776zs; 1 of 9) on page 2165
Auto close assembly	RM2-1605-000CN	Printer internal assemblies (M751/E75245; 3 of 7) on page 2129
Auto close assembly	RM2-1605-000CN	Printer internal assemblies (M856/E85055, M776dn/M776z; 3 of 8) on page 2149
Auto close assembly	RM2-1605-000CN	Printer internal assemblies (M776zs; 3 of 9) on page 2169
Auto-close assembly	RM2-1734-000CN	HCI tray internal assemblies (1 of 2) on page 2203
Auto-close assembly	RM2-1760-000CN	550-sheet paper tray internal assemblies on page 2193
Auto-close assembly	RM2-1760-000CN	2x550-sheet paper tray internal assemblies (1 of 2) on page 2197

Table 2-49 Alphabetical parts list (continued)

Description	Part number	Table and page
Black cartridge rail assembly	RM2-1356-000CN	Printer internal assemblies (M751/E75245; 1 of 7) on page 2125
Black cartridge rail assembly	RM2-1356-000CN	Printer internal assemblies (M856/E85055, M776dn/M776z; 1 of 8) on page 2145
Black cartridge rail assembly	RM2-1356-000CN	Printer internal assemblies (M776zs; 1 of 9) on page 2165
Black pre-exposure assembly	RM2-1340-000CN	Printer internal assemblies (M751/E75245; 1 of 7) on page 2125
Black pre-exposure assembly	RM2-1340-000CN	Printer internal assemblies (M856/E85055, M776dn/M776z; 1 of 8) on page 2145
Black pre-exposure assembly	RM2-1340-000CN	Printer internal assemblies (M776zs; 1 of 9) on page 2165
Cable duct assembly	RM2-2444-000CN	Inner finisher internal assemblies (3 of 3) on page 2189
Cable, interlock	FM1-E959-000CN	Inner finisher internal assemblies (1 of 3) on page 2185
Cam, coupling estrangment	RC5-1055-000CN	Printer internal assemblies (M856/E85055, M776dn/M776z; 5 of 8) on page 2153
Cam, coupling estrangment	RC5-1055-000CN	Printer internal assemblies (M776zs; 5 of 9) on page 2173
Cap, cover, rear	RC5-4842-000CN	Inner finisher covers on page 2183
Cartridge guide	RL2-2091-000CN	Printer internal assemblies (M751/E75245; 1 of 7) on page 2125
Cartridge upper guide assembly	RM2-1343-000CN	Printer internal assemblies (M751/E75245; 1 of 7) on page 2125
Cartridge upper guide assembly	RM2-1343-000CN	Printer internal assemblies (M856/E85055, M776dn/M776z; 1 of 8) on page 2145
Cartridge upper guide assembly	RM2-1343-000CN	Printer internal assemblies (M776zs; 1 of 9) on page 2165

Table 2-49 Alphabetical parts list (continued)

Description	Part number	Table and page
Cassette assembly	RM2-1394-000CN	Printer internal assemblies (M751/E75245; 3 of 7) on page 2129
Cassette assembly	RM2-1394-000CN	Printer internal assemblies (M856/E85055, M776dn/M776z; 3 of 8) on page 2149
Cassette assembly	RM2-1706-000CN	550-sheet paper tray internal assemblies on page 2193
Cassette assembly	RM2-1706-000CN	2x550-sheet paper tray internal assemblies (1 of 2) on page 2197
Cassette assembly	RM2-1720-000CN	2x550-sheet paper tray internal assemblies (1 of 2) on page 2197
Cassette Assembly	RM2-1394-000CN	Printer internal assemblies (M776zs; 3 of 9) on page 2169
Communication PCB Assembly	RM3-7341-000CN	Printer internal assemblies (M776zs; 9 of 9) on page 2181
Complete inner finisher	T3U55-67901	Inner finisher covers on page 2183
Complete inner finisher	T3U55-67901	Inner finisher internal assemblies (1 of 3) on page 2185
Complete inner finisher	T3U55-67901	Inner finisher internal assemblies (2 of 3) on page 2187
Complete inner finisher	T3U55-67901	Inner finisher internal assemblies (3 of 3) on page 2189
Connecting PCB assembly	RM2-9618-000CN	Printer internal assemblies (M856/E85055, M776dn/M776z; 5 of 8) on page 2153
Connecting PCB assembly	RM2-9622-000CN	Printer internal assemblies (M751/E75245; 5 of 7) on page 2133
Connecting PCB assembly	RM2-9622-000CN	Printer internal assemblies (M856/E85055, M776dn/M776z; 5 of 8) on page 2153
Connecting PCB assembly	RM2-9622-000CN	Printer internal assemblies (M776zs; 5 of 9) on page 2173

Table 2-49 Alphabetical parts list (continued)

Description	Part number	Table and page
Control panel (M751/E75245)	5851-7253	Printer covers (M751/E75245) on page 2123
Control panel (M776)	J7Z09-67928	Document feeder and image scanner (M776) on page 2119
Control panel (M856/E85055)	K0Q15-67901	Printer covers (M856/E85055) on page 2140
Cover, front	RC5-2732-000CN	Printer covers (M776zs) on page 2162
Cover, latch	RC5-4840-000CN	Inner finisher covers on page 2183
Cover, left rear	RC5-1804-000CN	Printer covers (M751/E75245) on page 2123
Cover, left rear	RC5-2632-000CN	Printer covers (M856/E85055) on page 2140
Cover, left rear	RC5-2632-000CN	Printer covers (M776dn/M776z) on page 2143
Cover, left rear	RC5-2632-000CN	Printer covers (M776zs) on page 2162
Cover, left upper, F	RC5-1805-000CN	Printer covers (M751/E75245) on page 2123
Cover, left upper, F	RC5-1805-000CN	Printer covers (M856/E85055) on page 2140
Cover, left upper, F	RC5-1805-000CN	Printer covers (M776dn/M776z) on page 2143
Cover, left upper, F	RC5-1805-000CN	Printer covers (M776zs) on page 2162
Cover, left upper, R	RC5-1806-000CN	Printer covers (M751/E75245) on page 2123
Cover, left upper, R	RC5-1806-000CN	Printer covers (M856/E85055) on page 2140
Cover, left upper, R	RC5-1806-000CN	Printer covers (M776dn/M776z) on page 2143
Cover, left upper, R	RC5-1806-000CN	Printer covers (M776zs) on page 2162
Cover, main	RC5-2731-000CN	Printer covers (M776zs) on page 2162
Cover, option, upper	RC5-2621-000CN	Printer covers (M856/E85055) on page 2140
Cover, option, upper	RC5-2621-000CN	Printer covers (M776dn/M776z) on page 2143
Cover, paper delivery	RC5-2734-000CN	Printer covers (M776zs) on page 2162

Table 2-49 Alphabetical parts list (continued)

Description	Part number	Table and page
Cover, paper delivery, front	RC5-2728-000CN	Printer covers (M776zs) on page 2162
Cover, rail	RC5-4887-000CN	Inner finisher covers on page 2183
Cover, rear right, upper	RC5-2735-000CN	Printer covers (M776zs) on page 2162
Cover, rear upper	RC5-2730-000CN	Printer covers (M776zs) on page 2162
Cover, rear, small	RC5-4834-000CN	Inner finisher covers on page 2183
Cover, right upper	RC5-2733-000CN	Printer covers (M776zs) on page 2162
Cover, right, lower	RC5-2064-000CN	2x550-sheet tray covers on page 2195
Cover, right, lower	RC5-2064-000CN	HCI tray covers on page 2201
Cover, upper	RC5-0658-000CN	Printer covers (M751/E75245) on page 2123
Cover, upper	RC5-2623-000CN	Printer covers (M856/E85055) on page 2140
DC controller PCB assembly	RM2-9630-000CN	Printer internal assemblies (M751/E75245; 4 of 7) on page 2131
DC controller PCB assembly	RM2-9930-000CN	Printer internal assemblies (M856/E85055, M776dn/M776z; 4 of 8) on page 2151
DC controller PCB assembly	RM2-9931-000CN	Printer internal assemblies (M776zs; 4 of 9) on page 2171
Document feeder roller kit	5851-7202	Document feeder and image scanner (M776) on page 2119
DT cartridge rail assembly	RM2-1357-000CN	Printer internal assemblies (M751/E75245; 1 of 7) on page 2125
DT cartridge rail assembly	RM2-2479-000CN	Printer internal assemblies (M856/E85055, M776dn/M776z; 1 of 8) on page 2145
DT Cartridge rail assembly	RM2-2479-000CN	Printer internal assemblies (M776zs; 1 of 9) on page 2165
Duplexing controller PCB assembly	RM2-9921-000CN	Printer internal assemblies (M856/E85055, M776dn/M776z; 8 of 8) on page 2159

Table 2-49 Alphabetical parts list (continued)

Description	Part number	Table and page
Duplexing controller PCB assembly	RM3-7380-000CN	Printer internal assemblies (M776zs; 8 of 9) on page 2179
Duplexing drive assembly	RM2-1392-000CN	Printer internal assemblies (M751/E75245; 5 of 7) on page 2133
Duplexing reverse guide assembly	RM2-2690-000CN	Printer internal assemblies (M856/E85055, M776dn/M776z; 8 of 8) on page 2159
Entrance guide assembly, upper	RM2-2434-000CN	Inner finisher covers on page 2183
Environment sensor PCB assembly	RM2-9620-000CN	Printer internal assemblies (M751/E75245; 5 of 7) on page 2133
Environment sensor PCB assembly	RM2-9620-000CN	Printer internal assemblies (M856/E85055, M776dn/M776z; 5 of 8) on page 2153
Environment sensor PCB assembly	RM2-9620-000CN	Printer internal assemblies (M776zs; 5 of 9) on page 2173
Estrangement solenoid assembly	FM1-F201-000CN	Inner finisher internal assemblies (1 of 3) on page 2185
Fan	RK2-2276-000CN	Printer internal assemblies (M751/E75245; 5 of 7) on page 2133
Fan	RK2-2276-000CN	Printer internal assemblies (M856/E85055, M776dn/M776z; 5 of 8) on page 2153
Fan	RK2-2276-000CN	Printer internal assemblies (M776zs; 5 of 9) on page 2173
Fan	RK2-9148-000CN	Printer internal assemblies (M751/E75245; 5 of 7) on page 2133
Fan	RK2-9148-000CN	Printer internal assemblies (M751/E75245; 7 of 7) on page 2137
Fan	RK2-9148-000CN	Printer internal assemblies (M856/E85055, M776dn/M776z; 5 of 8) on page 2153
Fan	RK2-9148-000CN	Printer internal assemblies (M856/E85055, M776dn/M776z; 7 of 8) on page 2157

Table 2-49 Alphabetical parts list (continued)

Description	Part number	Table and page
Fan	RK2-9148-000CN	Printer internal assemblies (M856/E85055, M776dn/M776z; 8 of 8) on page 2159
Fan	RK2-9148-000CN	Printer internal assemblies (M776zs; 5 of 9) on page 2173
Fan	RK2-9148-000CN	Printer internal assemblies (M776zs; 7 of 9) on page 2177
Fan	RK2-9148-000CN	Printer internal assemblies (M776zs; 8 of 9) on page 2179
First cartridge rail assembly	RM2-1354-000CN	Printer internal assemblies (M751/E75245; 1 of 7) on page 2125
First cartridge rail assembly	RM2-2481-000CN	Printer internal assemblies (M856/E85055, M776dn/M776z; 1 of 8) on page 2145
First cartridge rail assembly	RM2-2681-000CN	Printer internal assemblies (M776zs; 1 of 9) on page 2165
Formatter case assembly	RM2-2476-000CN	Printer internal assemblies (M856/E85055, M776dn/M776z; 4 of 8) on page 2151
Formatter case assembly	RM2-2476-000CN	Printer internal assemblies (M776zs; 4 of 9) on page 2171
Formatter cover assembly	RM2-1346-000CN	Printer covers (M751/E75245) on page 2123
Formatter cover assembly	RM2-2683-000CN	Printer covers (M856/E85055) on page 2140
Formatter cover assembly	RM2-2683-000CN	Printer covers (M776dn/M776z) on page 2143
Formatter cover assembly	RM2-2683-000CN	Printer covers (M776zs) on page 2162
Formatter PCA (M751/E75245/M856/E85055) (sPAB - SFP; India/China)	5851-7703	Printer internal assemblies (M751/E75245; 4 of 7) on page 2131
Formatter PCA (M751/E75245/M856/E85055) (sPAB - SFP; India/China)	5851-7703	Printer internal assemblies (M856/E85055, M776dn/M776z; 4 of 8) on page 2151
Formatter PCA (M751/E75245/M856/E85055) (sPAB - SFP)	5851-7702	Printer internal assemblies (M751/E75245; 4 of 7) on page 2131

Table 2-49 Alphabetical parts list (continued)

Description	Part number	Table and page
Formatter PCA (M751/E75245/M856/E85055) (sPAB - SFP)	5851-7702	Printer internal assemblies (M856/E85055, M776dn/M776z; 4 of 8) on page 2151
Formatter PCA (M776) (sPAB - SFP; India/China)	5851-7914	Printer internal assemblies (M856/E85055, M776dn/M776z; 4 of 8) on page 2151
Formatter PCA (M776) (sPAB - SFP; India/China)	5851-7914	Printer internal assemblies (M776zs; 4 of 9) on page 2171
Formatter PCA (M776) (sPAB - SFP)	5851-7913	Printer internal assemblies (M856/E85055, M776dn/M776z; 4 of 8) on page 2151
Formatter PCA (M776) (sPAB - SFP)	5851-7913	Printer internal assemblies (M776zs; 4 of 9) on page 2171
Formatter PCA + SDS (M751/E75245/M856/E85055) (sPAB - SFP; India/China)	5851-7705	Printer internal assemblies (M751/E75245; 4 of 7) on page 2131
Formatter PCA + SDS (M751/E75245/M856/E85055) (sPAB - SFP; India/China)	5851-7705	Printer internal assemblies (M856/E85055, M776dn/M776z; 4 of 8) on page 2151
Formatter PCA + SDS (M751/E75245/M856/E85055) (sPAB - SFP)	5851-7704	Printer internal assemblies (M751/E75245; 4 of 7) on page 2131
Formatter PCA + SDS (M751/E75245/M856/E85055) (sPAB - SFP)	5851-7704	Printer internal assemblies (M856/E85055, M776dn/M776z; 4 of 8) on page 2151
Front cover assembly	RM2-2438-000CN	Inner finisher covers on page 2183
Front door assembly	RM2-1368-000CN	Printer covers (M751/E75245) on page 2123
Front door assembly	RM2-1368-000CN	Printer covers (M856/E85055) on page 2140
Front door assembly	RM2-1368-000CN	Printer covers (M776dn/M776z) on page 2143
Front door assembly	RM2-1368-000CN	Printer covers (M776zs) on page 2162
Fuser drive assembly	RM2-1391-000CN	Printer internal assemblies (M751/E75245; 5 of 7) on page 2133

Table 2-49 Alphabetical parts list (continued)

Description	Part number	Table and page
Fuser drive assembly	RM2-1391-000CN	Printer internal assemblies (M856/E85055, M776dn/M776z; 5 of 8) on page 2153
Fuser drive assembly	RM2-1391-000CN	Printer internal assemblies (M776zs; 5 of 9) on page 2173
Fuser kit (110V)	4YL16-67901	Printer internal assemblies (M856/E85055, M776dn/M776z; 7 of 8) on page 2157
Fuser kit (110V)	4YL16-67901	Printer internal assemblies (M776zs; 7 of 9) on page 2177
Fuser Kit (110V)	3WT87-67901	Printer internal assemblies (M751/E75245; 7 of 7) on page 2137
Fuser kit (220V)	4YL17-67901	Printer internal assemblies (M856/E85055, M776dn/M776z; 7 of 8) on page 2157
Fuser kit (220V)	4YL17-67901	Printer internal assemblies (M776zs; 7 of 9) on page 2177
Fuser Kit (220V)	3WT88-67901	Printer internal assemblies (M751/E75245; 7 of 7) on page 2137
Fuser motor assembly	RM2-1456-000CN	Printer internal assemblies (M751/E75245; 5 of 7) on page 2133
Fuser motor assembly	RM2-1456-000CN	Printer internal assemblies (M856/E85055, M776dn/M776z; 5 of 8) on page 2153
Fuser motor assembly	RM2-1456-000CN	Printer internal assemblies (M776zs; 5 of 9) on page 2173
Guide cartridge	RL2-2091-000CN	Printer internal assemblies (M856/E85055, M776dn/M776z; 1 of 8) on page 2145
Guide, cartridge	RL2-2091-000CN	Printer internal assemblies (M776zs; 1 of 9) on page 2165
Guide, PCB cable	RC5-1656-000CN	Printer internal assemblies (M751/E75245; 5 of 7) on page 2133

Table 2-49 Alphabetical parts list (continued)

Description	Part number	Table and page
Guide, PCB cable	RC5-1656-000CN	Printer internal assemblies (M856/E85055, M776dn/M776z; 5 of 8) on page 2153
Guide, PCB cable	RC5-1656-000CN	Printer internal assemblies (M776zs; 5 of 9) on page 2173
Handle, release	RC5-4839-000CN	Inner finisher internal assemblies (3 of 3) on page 2189
Height tray motor assembly	FM1-C439-000CN	Inner finisher internal assemblies (1 of 3) on page 2185
Height wall assembly	RM2-2452-000CN	Inner finisher covers on page 2183
Hinge, cover, left	RC5-0801-000CN	Printer covers (M751/E75245) on page 2123
Hinge, cover, left	RC5-0801-000CN	Printer covers (M856/E85055) on page 2140
Hinge, cover, left	RC5-0801-000CN	Printer covers (M776dn/M776z) on page 2143
Hinge, cover, left	RC5-0801-000CN	Printer covers (M776zs) on page 2162
Hinge, left door, upper	RC5-0770-000CN	Printer covers (M751/E75245) on page 2123
Hinge, left door, upper	RC5-0770-000CN	Printer covers (M856/E85055) on page 2140
Hinge, left door, upper	RC5-0770-000CN	Printer covers (M776dn/M776z) on page 2143
Hinge, left door, upper	RC5-0770-000CN	Printer covers (M776zs) on page 2162
IC, photo-interrupter, LG248NL1A	WG8-5783-000CN	Inner finisher internal assemblies (1 of 3) on page 2185
IC, photointerrupter	WG8-5935-000CN	Printer internal assemblies (M751/E75245; 7 of 7) on page 2137
IC, photointerrupter	WG8-5935-000CN	Printer internal assemblies (M856/E85055, M776dn/M776z; 7 of 8) on page 2157
IC, photointerrupter	WG8-5935-000CN	Printer internal assemblies (M776zs; 7 of 9) on page 2177
Image scanner whole unit	5851-7915	Document feeder and image scanner (M776) on page 2119

Table 2-49 Alphabetical parts list (continued)

Description	Part number	Table and page
Intermediate transfer belt	RM2-1504-000CN	Printer internal assemblies (M751/E75245; 7 of 7) on page 2137
Intermediate transfer belt assembly	RM2-1504-000CN	Printer internal assemblies (M856/E85055, M776dn/M776z; 7 of 8) on page 2157
Intermediate transfer belt assembly	RM2-1504-000CN	Printer internal assemblies (M776zs; 7 of 9) on page 2177
Laser scanner assembly	RM2-1328-020CN	Printer internal assemblies (M751/E75245; 6 of 7) on page 2135
Laser scanner assembly	RM2-1328-020CN	Printer internal assemblies (M856/E85055, M776dn/M776z; 6 of 8) on page 2155
Laser scanner assembly	RM2-1328-020CN	Printer internal assemblies (M776zs; 6 of 9) on page 2175
Latch assembly	RM2-2442-000CN	Inner finisher internal assemblies (3 of 3) on page 2189
Left cover lock assembly	RM2-1350-000CN	Printer covers (M751/E75245) on page 2123
Left cover lock assembly	RM2-1350-000CN	Printer covers (M856/E85055) on page 2140
Left cover lock assembly	RM2-1350-000CN	Printer covers (M776dn/M776z) on page 2143
Left cover lock assembly	RM2-1350-000CN	Printer covers (M776zs) on page 2162
Left door assembly	RM2-1351-000CN	Printer covers (M751/E75245) on page 2123
Left door assembly	RM2-1351-000CN	Printer covers (M856/E85055) on page 2140
Left door assembly	RM2-1351-000CN	Printer covers (M776dn/M776z) on page 2143
Left door assembly	RM2-1351-000CN	Printer covers (M776zs) on page 2162
Left tray assembly	RM2-1743-000CN	HCI tray internal assemblies (1 of 2) on page 2203
Lifter drive assembly	RM2-1604-000CN	Printer internal assemblies (M751/E75245; 3 of 7) on page 2129

Table 2-49 Alphabetical parts list (continued)

Description	Part number	Table and page
Lifter drive assembly	RM2-1604-000CN	Printer internal assemblies (M856/E85055, M776dn/ M776z; 3 of 8) on page 2149
Lifter drive assembly	RM2-1604-000CN	Printer internal assemblies (M776zs; 3 of 9) on page 2169
Lifter drive assembly	RM2-1703-000CN	550-sheet paper tray internal assemblies on page 2193
Lifter drive assembly	RM2-1704-000CN	2x550-sheet paper tray internal assemblies (1 of 2) on page 2197
Lifter drive assembly	RM2-1736-000CN	HCl tray internal assemblies (1 of 2) on page 2203
Low voltage power supply assembly	RM2-2473-000CN	Printer internal assemblies (M776zs; 7 of 9) on page 2177
Low voltage power supply assembly	RM2-2474-000CN	Printer internal assemblies (M776zs; 7 of 9) on page 2177
Low-voltage power supply (110V-127V)	RM2-1445-000CN	Printer internal assemblies (M751/E75245; 7 of 7) on page 2137
Low-voltage power supply (110V-127V)	RM2-2473-000CN	Printer internal assemblies (M856/E85055, M776dn/ M776z; 7 of 8) on page 2157
Low-voltage power supply (220V-240V)	RM2-1453-000CN	Printer internal assemblies (M751/E75245; 7 of 7) on page 2137
Low-voltage power supply (220V-240V)	RM2-2474-000CN	Printer internal assemblies (M856/E85055, M776dn/ M776z; 7 of 8) on page 2157
Lower high voltage power supply PCB assembly	RM2-9624-000CN	Printer internal assemblies (M776zs; 4 of 9) on page 2171
Lower high-voltage power supply PCB assembly	RM2-9624-000CN	Printer internal assemblies (M751/E75245; 4 of 7) on page 2131
Lower high-voltage power supply PCB assembly	RM2-9624-000CN	Printer internal assemblies (M856/E85055, M776dn/ M776z; 4 of 8) on page 2151
Main connecting PCB assembly	RM2-9618-000CN	Printer internal assemblies (M751/E75245; 5 of 7) on page 2133

Table 2-49 Alphabetical parts list (continued)

Description	Part number	Table and page
Main connecting PCB assembly	RM2-9618-000CN	Printer internal assemblies (M776zs; 5 of 9) on page 2173
Main drive assembly	RM2-1614-000CN	Printer internal assemblies (M751/E75245; 5 of 7) on page 2133
Main drive assembly	RM2-1614-000CN	Printer internal assemblies (M856/E85055, M776dn/M776z; 5 of 8) on page 2153
Main drive assembly	RM2-1614-000CN	Printer internal assemblies (M776zs; 5 of 9) on page 2173
Main motor assembly	RM2-1612-000CN	Printer internal assemblies (M751/E75245; 5 of 7) on page 2133
Main motor assembly	RM2-1612-000CN	Printer internal assemblies (M856/E85055, M776dn/M776z; 5 of 8) on page 2153
Main motor assembly	RM2-1612-000CN	Printer internal assemblies (M776zs; 5 of 9) on page 2173
Main motor assembly	RM2-1613-000CN	Printer internal assemblies (M751/E75245; 5 of 7) on page 2133
Main motor assembly	RM2-1613-000CN	Printer internal assemblies (M856/E85055, M776dn/M776z; 5 of 8) on page 2153
Main motor assembly	RM2-1613-000CN	Printer internal assemblies (M776zs; 5 of 9) on page 2173
Memory PCB assembly	RM3-7351-000CN	Printer internal assemblies (M751/E75245; 4 of 7) on page 2131
Memory PCB assembly	RM3-7351-000CN	Printer internal assemblies (M856/E85055, M776dn/M776z; 4 of 8) on page 2151
Memory PCB assembly	RM3-7351-000CN	Printer internal assemblies (M776zs; 4 of 9) on page 2171
Motor stepping	FK4-2060-000CN	Inner finisher internal assemblies (1 of 3) on page 2185
Motor, stepping	RK2-6027-000CN	Printer internal assemblies (M751/E75245; 5 of 7) on page 2133

Table 2-49 Alphabetical parts list (continued)

Description	Part number	Table and page
Motor, stepping	RK2-6027-000CN	Printer internal assemblies (M856/E85055, M776dn/M776z; 5 of 8) on page 2153
Motor, stepping	RK2-6027-000CN	Printer internal assemblies (M776zs; 5 of 9) on page 2173
Motor, stepping, DC	RK2-7818-000CN	HCI tray internal assemblies (2 of 2) on page 2205
Motor, stepping, DC	RK2-9410-000CN	550-sheet paper tray internal assemblies on page 2193
Motor, stepping, DC	RK2-9410-000CN	2x550-sheet paper tray internal assemblies (2 of 2) on page 2199
Motor, stepping, DC	RK2-9410-000CN	HCI tray internal assemblies (2 of 2) on page 2205
Paddle drive assembly	FM1-C426-000CN	Inner finisher internal assemblies (1 of 3) on page 2185
Paddle unit	FM1-C422-000CN	Inner finisher internal assemblies (2 of 3) on page 2187
Paper deck controller PCB assembly	RM2-9885-000CN	2x550-sheet paper tray internal assemblies (2 of 2) on page 2199
Paper deck controller PCB assembly	RM2-9887-000CN	HCI tray internal assemblies (2 of 2) on page 2205
Paper delivery assembly	RM2-1498-000CN	Printer internal assemblies (M751/E75245; 3 of 7) on page 2129
Paper delivery assembly	RM2-1777-000CN	Printer internal assemblies (M856/E85055, M776dn/M776z; 8 of 8) on page 2159
Paper delivery assembly	RM2-1786-000CN	Printer internal assemblies (M776zs; 8 of 9) on page 2179
Paper feed assembly	RM2-1730-000CN	HCI tray internal assemblies (1 of 2) on page 2203
Paper feed guide assembly, upper	RM2-2432-000CN	Inner finisher covers on page 2183

Table 2-49 Alphabetical parts list (continued)

Description	Part number	Table and page
Paper pickup assembly	RM2-1393-010CN	Printer internal assemblies (M751/E75245; 6 of 7) on page 2135
Paper pickup assembly	RM2-1717-000CN	550-sheet paper tray internal assemblies on page 2193
Paper pickup assembly	RM2-1717-000CN	2x550-sheet paper tray internal assemblies (1 of 2) on page 2197
Paper pickup assembly	RM2-1717-000CN	HCl tray internal assemblies (1 of 2) on page 2203
Paper pickup assembly	RM2-1741-000CN	HCl tray internal assemblies (1 of 2) on page 2203
Paper pickup assembly	RM2-3908-000CN	Printer internal assemblies (M856/E85055, M776dn/M776z; 6 of 8) on page 2155
Paper pickup assembly	RM2-3908-000CN	Printer internal assemblies (M776zs; 6 of 9) on page 2175
Paper pickup roller assembly	RM2-1526-000CN	Printer internal assemblies (M751/E75245; 6 of 7) on page 2135
Paper pickup roller assembly	RM2-1526-000CN	Printer internal assemblies (M856/E85055, M776dn/M776z; 6 of 8) on page 2155
Paper pickup roller assembly	RM2-1526-000CN	Printer internal assemblies (M776zs; 6 of 9) on page 2175
Paper pickup roller assembly	RM2-1526-000CN	550-sheet paper tray internal assemblies on page 2193
Paper pickup roller assembly	RM2-1526-000CN	2x550-sheet paper tray internal assemblies (1 of 2) on page 2197
Paper pickup roller assembly	RM2-1526-000CN	HCl tray internal assemblies (1 of 2) on page 2203
Power switch PCB assembly	RM2-9610-000CN	Printer internal assemblies (M751/E75245; 2 of 7) on page 2127
Power switch PCB assembly	RM2-9610-000CN	Printer internal assemblies (M776zs; 2 of 9) on page 2167

Table 2-49 Alphabetical parts list (continued)

Description	Part number	Table and page
Processing tray assembly	RM2-2458-000CN	Inner finisher internal assemblies (2 of 3) on page 2187
Push assembly, front	RM2-2460-000CN	Inner finisher internal assemblies (1 of 3) on page 2185
Push assembly, rear	RM2-2526-000CN	Inner finisher internal assemblies (1 of 3) on page 2185
RD pressure link assembly, front	RM2-1389-000CN	Printer internal assemblies (M751/E75245; 7 of 7) on page 2137
RD pressure link assembly, front	RM2-1389-000CN	Printer internal assemblies (M856/E85055, M776dn/M776z; 7 of 8) on page 2157
RD pressure link assembly, front	RM2-1389-000CN	Printer internal assemblies (M776zs; 7 of 9) on page 2177
RD pressure link assembly, rear	RM2-1390-000CN	Printer internal assemblies (M751/E75245; 7 of 7) on page 2137
RD pressure link assembly, rear	RM2-1390-000CN	Printer internal assemblies (M856/E85055, M776dn/M776z; 7 of 8) on page 2157
RD pressure link assembly, rear	RM2-1390-000CN	Printer internal assemblies (M776zs; 7 of 9) on page 2177
Rear delivery cover assembly	RM2-1782-000CN	Printer covers (M776zs) on page 2162
Registration density sensor assembly	RM2-1501-000CN	Printer internal assemblies (M751/E75245; 7 of 7) on page 2137
Registration density sensor assembly	RM2-1501-000CN	Printer internal assemblies (M776zs; 7 of 9) on page 2177
Registration density sensor assembly, front	RM2-1501-000CN	Printer internal assemblies (M856/E85055, M776dn/M776z; 7 of 8) on page 2157
Return belt unit	FM1-H670-000CN	Inner finisher internal assemblies (2 of 3) on page 2187
Right door assembly	RM2-1494-000CN	Printer covers (M751/E75245) on page 2123
Right door assembly	RM2-1716-000CN	550-sheet tray covers on page 2191

Table 2-49 Alphabetical parts list (continued)

Description	Part number	Table and page
Right door assembly	RM2-1729-000CN	2x550-sheet tray covers on page 2195
Right door assembly	RM2-1740-000CN	HCl tray covers on page 2201
Right door assembly	RM2-3434-000CN	Printer covers (M856/E85055) on page 2140
Right door assembly	RM2-3434-000CN	Printer covers (M776dn/M776z) on page 2143
Right door assembly	RM2-3434-000CN	Printer covers (M776zs) on page 2162
Right front cover assembly	RM2-2661-000CN	Printer covers (M776zs) on page 2162
Right handle assembly	RM2-1376-000CN	Printer covers (M751/E75245) on page 2123
Right handle assembly	RM2-1376-000CN	Printer covers (M856/E85055) on page 2140
Right handle assembly	RM2-2660-000CN	Printer covers (M776zs) on page 2162
Right tray assembly	RM2-1748-000CN	HCl tray internal assemblies (1 of 2) on page 2203
Right upper door assembly	RM2-1785-000CN	Printer covers (M776zs) on page 2162
SCB enterprise	5851-7916	Document feeder and image scanner (M776) on page 2119
SCB work flow	5851-7917	Document feeder and image scanner (M776) on page 2119
Second cartridge rail assembly	RM2-1353-000CN	Printer internal assemblies (M751/E75245; 1 of 7) on page 2125
Second cartridge rail assembly	RM2-2480-000CN	Printer internal assemblies (M856/E85055, M776dn/M776z; 1 of 8) on page 2145
Second cartridge rail assembly	RM2-2480-000CN	Printer internal assemblies (M776zs; 1 of 9) on page 2165
Second transfer H.V.T. PCB assembly	RM2-9623-000CN	Printer internal assemblies (M856/E85055, M776dn/M776z; 4 of 8) on page 2151
Second transfer H.V.T. PCB assembly	RM2-9623-000CN	Printer internal assemblies (M776zs; 4 of 9) on page 2171

Table 2-49 Alphabetical parts list (continued)

Description	Part number	Table and page
Second transfer high-voltage PCB assembly	RM2-9623-000CN	Printer internal assemblies (M751/E75245; 4 of 7) on page 2131
Second transfer, roller assembly	RM2-1399-010CN	Printer internal assemblies (M776zs; 3 of 9) on page 2169
Secondary transfer roller	RM2-1399-010CN	Printer internal assemblies (M751/E75245; 3 of 7) on page 2129
Secondary transfer roller	RM2-1399-010CN	Printer internal assemblies (M856/E85055, M776dn/M776z; 3 of 8) on page 2149
Separation roller holder assembly	RM2-1526-000CN	Printer internal assemblies (M751/E75245; 6 of 7) on page 2135
Separation roller holder assembly	RM2-1526-000CN	Printer internal assemblies (M856/E85055, M776dn/M776z; 6 of 8) on page 2155
Separation roller holder assembly	RM2-1526-000CN	Printer internal assemblies (M776zs; 6 of 9) on page 2175
Separation roller holder assembly	RM2-1526-000CN	550-sheet paper tray internal assemblies on page 2193
Separation roller holder assembly	RM2-1526-000CN	2x550-sheet paper tray internal assemblies (1 of 2) on page 2197
Separation roller holder assembly	RM2-1526-000CN	HCI tray internal assemblies (1 of 2) on page 2203
Size detect switch assembly	RM2-1436-000CN	Printer internal assemblies (M751/E75245; 3 of 7) on page 2129
Size detect switch assembly	RM2-1436-000CN	Printer internal assemblies (M856/E85055, M776dn/M776z; 3 of 8) on page 2149
Size detect switch assembly	RM2-1436-000CN	Printer internal assemblies (M776zs; 3 of 9) on page 2169
Size detect switch assembly	RM2-1711-000CN	550-sheet paper tray internal assemblies on page 2193
Size detect switch assembly	RM2-1711-000CN	2x550-sheet paper tray internal assemblies (1 of 2) on page 2197

Table 2-49 Alphabetical parts list (continued)

Description	Part number	Table and page
Spacer, drawer holder	RC5-1681-000CN	Printer internal assemblies (M751/E75245; 6 of 7) on page 2135
Spacer, drawer holder	RC5-1681-000CN	Printer internal assemblies (M856/E85055, M776dn/M776z; 6 of 8) on page 2155
Spacer, drawer holder	RC5-1681-000CN	Printer internal assemblies (M776zs; 6 of 9) on page 2175
Stack tray assembly	RM2-2450-000CN	Inner finisher covers on page 2183
Staple assembly	RM2-2453-000CN	Inner finisher internal assemblies (1 of 3) on page 2185
Staple mount assembly	FM1-D645-000CN	Inner finisher internal assemblies (1 of 3) on page 2185
Staple stacker PCB assembly	RM3-7323-000CN	Inner finisher internal assemblies (1 of 3) on page 2185
Third cartridge rail assembly	RM2-1355-000CN	Printer internal assemblies (M751/E75245; 1 of 7) on page 2125
Third cartridge rail assembly	RM2-2482-000CN	Printer internal assemblies (M856/E85055, M776dn/M776z; 1 of 8) on page 2145
Third cartridge rail assembly	RM2-2682-000CN	Printer internal assemblies (M776zs; 1 of 9) on page 2165
Toggle front assembly	RM2-1764-000CN	Printer internal assemblies (M856/E85055, M776dn/M776z; 8 of 8) on page 2159
Toggle front assembly	RM2-1764-000CN	Printer internal assemblies (M776zs; 8 of 9) on page 2179
Toggle rear assembly	RM2-1763-000CN	Printer internal assemblies (M856/E85055, M776dn/M776z; 8 of 8) on page 2159
Toggle rear assembly	RM2-1763-000CN	Printer internal assemblies (M776zs; 8 of 9) on page 2179
Toner collection unit	3WT90-67901	Printer internal assemblies (M751/E75245; 2 of 7) on page 2127

Table 2-49 Alphabetical parts list (continued)

Description	Part number	Table and page
Toner collection unit	3WT90-67901	Printer internal assemblies (M856/E85055, M776dn/M776z; 2 of 8) on page 2147
Toner collection unit	3WT90-67901	Printer internal assemblies (M776zs; 2 of 9) on page 2167
Transfer cleaner assembly	RM2-1490-000CN	Printer internal assemblies (M751/E75245; 7 of 7) on page 2137
Transfer cleaner assembly	RM2-1490-000CN	Printer internal assemblies (M856/E85055, M776dn/M776z; 7 of 8) on page 2157
Transfer cleaner assembly	RM2-1490-000CN	Printer internal assemblies (M776zs; 7 of 9) on page 2177
Tray 1 pickup roller	RM2-1525-000CN	Printer covers (M751/E75245) on page 2123
Tray 1 pickup roller	RM2-1525-000CN	Printer covers (M856/E85055) on page 2140
Tray 1 pickup roller	RM2-1525-000CN	Printer covers (M776dn/M776z) on page 2143
Tray 1 pickup roller	RM2-1525-000CN	Printer covers (M776zs) on page 2162
Tray 1 separation roller	RM2-1525-000CN	Printer covers (M751/E75245) on page 2123
Tray 1 separation roller	RM2-1525-000CN	Printer covers (M856/E85055) on page 2140
Tray 1 separation roller	RM2-1525-000CN	Printer covers (M776dn/M776z) on page 2143
Tray 1 separation roller	RM2-1525-000CN	Printer covers (M776zs) on page 2162
Tray, reverse	RL2-2563-000CN	Printer covers (M856/E85055) on page 2140
Tray, reverse	RL2-2563-000CN	Printer covers (M776dn/M776z) on page 2143
Tray, wire sub	RC5-4905-000CN	Inner finisher covers on page 2183
Upper high voltage power supply PCB assembly	RM2-9601-000CN	Printer internal assemblies (M776zs; 4 of 9) on page 2171
Upper high-voltage power supply PCB assembly	RM2-9601-000CN	Printer internal assemblies (M751/E75245; 4 of 7) on page 2131

Table 2-49 Alphabetical parts list (continued)

Description	Part number	Table and page
Upper high-voltage power supply PCB assembly	RM2-9601-000CN	Printer internal assemblies (M856/E85055, M776dn/M776z; 4 of 8) on page 2151
Waste toner auger service kit	RM2-1520-000CN	Printer internal assemblies (M856/E85055, M776dn/M776z; 5 of 8) on page 2153
Waste toner auger service kit	RM2-1520-000CN	Printer internal assemblies (M776zs; 5 of 9) on page 2173
Waste toner feed assembly	RM2-1520-000CN	Printer internal assemblies (M751/E75245; 5 of 7) on page 2133
Waste toner feed link assembly	RM2-1366-000CN	Printer internal assemblies (M751/E75245; 6 of 7) on page 2135
Waste toner feed link assembly	RM2-1366-000CN	Printer internal assemblies (M856/E85055, M776dn/M776z; 6 of 8) on page 2155
Waste toner feed link assembly	RM2-1366-000CN	Printer internal assemblies (M776zs; 6 of 9) on page 2175
Waste toner feed link assembly	RM2-1367-000CN	Printer internal assemblies (M751/E75245; 6 of 7) on page 2135
Waste toner feed link assembly	RM2-1367-000CN	Printer internal assemblies (M856/E85055, M776dn/M776z; 6 of 8) on page 2155
Waste toner feed link assembly	RM2-1367-000CN	Printer internal assemblies (M776zs; 6 of 9) on page 2175
Waste toner gear base assembly	RM2-1364-000CN	Printer internal assemblies (M751/E75245; 5 of 7) on page 2133
Waste toner gear base assembly	RM2-1364-000CN	Printer internal assemblies (M856/E85055, M776dn/M776z; 5 of 8) on page 2153
Waste toner gear base assembly	RM2-1364-000CN	Printer internal assemblies (M776zs; 5 of 9) on page 2173
White backing A3 kit	J7Z09-67926	Document feeder and image scanner (M776) on page 2119

Table 2-49 Alphabetical parts list (continued)

Description	Part number	Table and page
White backing retention clip kit	J7Z09-67927	Document feeder and image scanner (M776) on page 2119
Wireless PCA board	0960-3659	Printer internal assemblies (M751/E75245; 4 of 7) on page 2131